

# 34B-WX Brushless DC Gearmotors

Class I, Division 2 Construction For Hazardous Locations

Our Class I, Division 2 gearmotors meet NEC standards for use in environments where flammable gases or vapors may accidentally be spilled or leak into the operating area. Class I, Division 2, brushless DC products are available with our 34B-WX gearmotors or as a part of our 34B-WX INTEGRAmotors™ (with built-in speed control). Minimum order quantities and lead times apply for some products.

### Class 1, Division 2 Construction

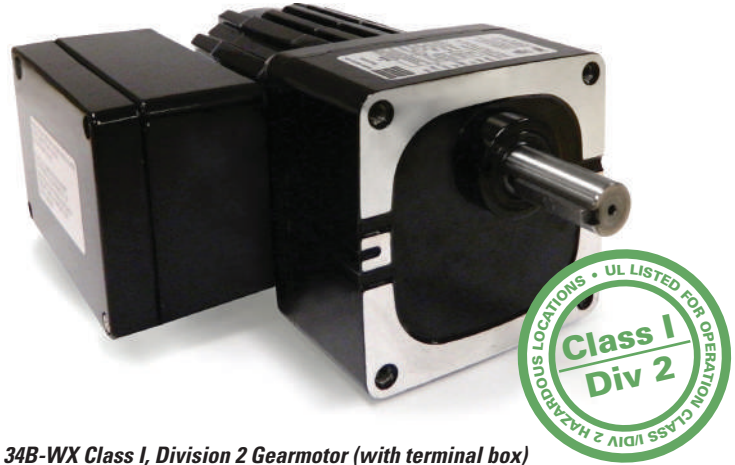
- Suitable for environments where flammable vapors may occasionally be present
- Specially coated commutator assembly
- **(INTEGRAmotor):** control board coated for outdoor applications
- Environmental protection rated IP-44

### 34B-WX Brushless DC Gearmotor

- High starting torque; linear speed-torque characteristics
- Ideal for variable speed applications
- Zero maintenance, lasts longer than brush-type DC motors
- All steel helical gears, synthetic lubricant
- Requires a brushless DC speed control

### 34B/SR-WX INTEGRAmotor

- Combines a PWM speed control, a brushless DC motor, gearhead and motor feedback
- Inputs for run, brake, speed and direction
- 12 pulse/revolution tach output
- Dynamic braking for quick stops
- Current limit protects motor from overload



34B-WX Class I, Division 2 Gearmotor (with terminal box)



34B/SR-WX INTEGRAmotor  
Class I, Division 2  
Gearmotor with built-in  
speed control

### Typical Applications

Ideal for portable or remote applications where connection to an AC line is not possible, such as solar or battery powered water circulators, thermal solar power generators, metering injection pumps at oil wells, and automatic gate openers.



#### Type 34B-WX Gearmotor Rated Voltage (12 or 24 VDC)

Rated Output		Rated Current (Amps)		Motor HP	Gear Ratio	Product Type <sup>1</sup>
Speed (rpm)	Rated Torque (lb-in.)	12V	24V			
8 to 658	9 to 205	16	8	1/5 or 1/4	4:1 to 312:1	34B3/4BEBL-WX

#### Type 34B/SR-WX INTEGRAmotor Gearmotor (12 or 24 VDC)

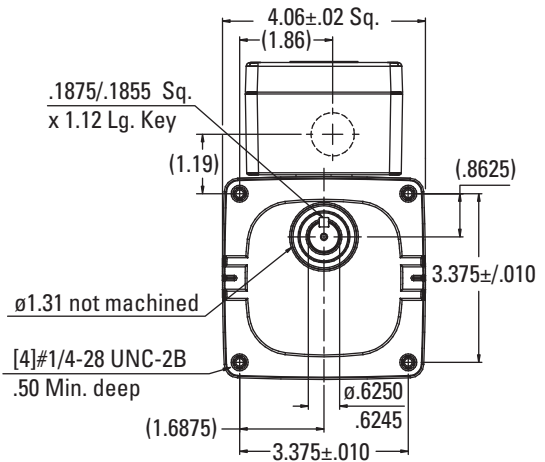
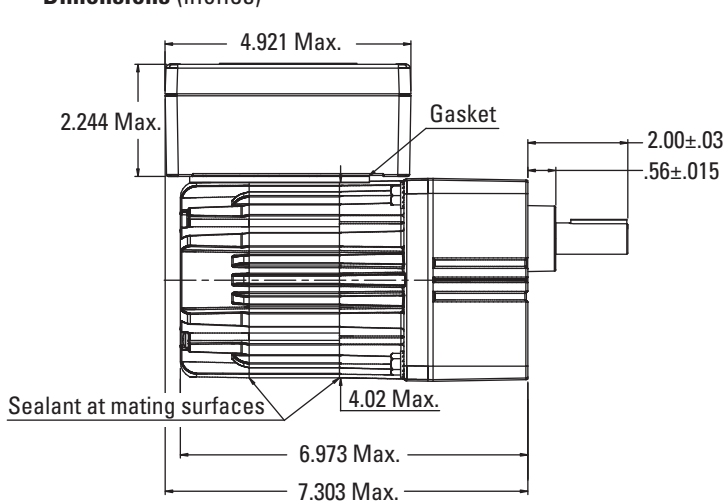
Gearmotor Output			Control Input			Product Type
Speed Range (rpm)	Rated Torque (lb-in.)	Gear Ratio	HP	Volts (VDC)	Continuous Amps	
8 to 658	9 to 205	4:1 to 312:1	1/4	12 or 24	12.0	34B4BEBL/SR-WX

<sup>1</sup> The fifth character of the product type changes from "B" to "F" for accessory ready models. The type 34B-WX is a non-stock item. Minimum quantities and lead times apply.



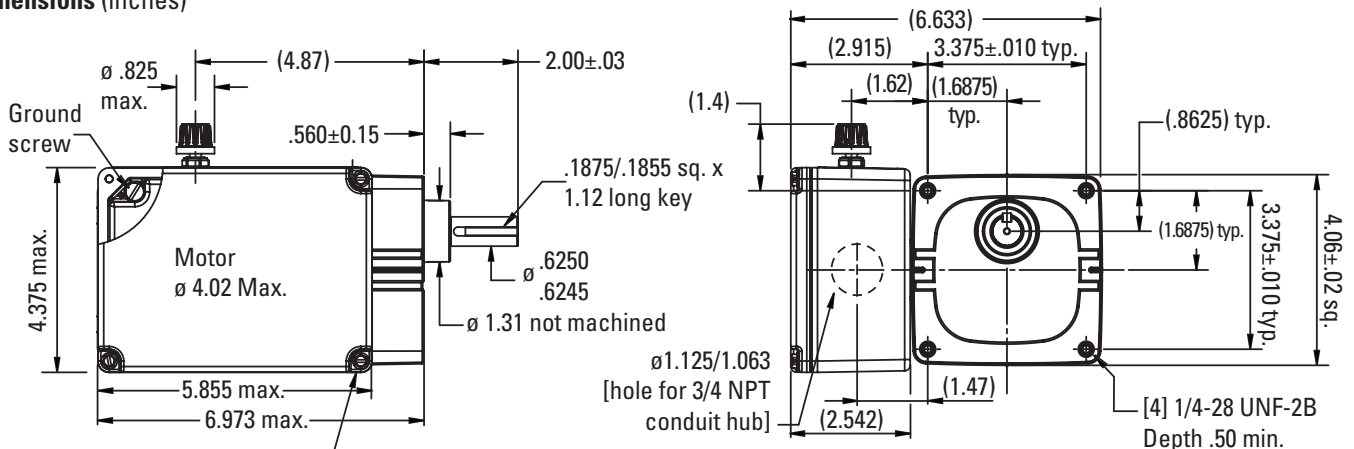
**34B4-WX Brushless DC Gearmotor (Class I, Division 2)**

Dimensions (inches)



**34B/SR-WX INTEGRAMotor, Brushless Gearmotor with built-in Speed Control**

Dimensions (inches)



[4] Control box cover screws field installation tightening torque 14-18 lb-in



**12V or 24V Low-Voltage Brushless DC Speed Controls**

These new brushless DC speed controls from Bodine are designed to deliver optimal performance from our BLDC motors and gearmotors. The controls operate from 12 or 24 Volt DC. A 12 pulse/revolution tach output indicates motors speed. Torque limit, speed, and acceleration can be adjusted. Chassis models can be housed in a Class I, Div. 2 enclosure. **For more information, visit [www.bodine-electric.com](http://www.bodine-electric.com)**