

Installation Instructions for Optional Base Mount Kit

Model 0931 for Bodine Type 34R/B Class I / Division 1

Explosion-Proof Gearmotors and Motors

Included Items

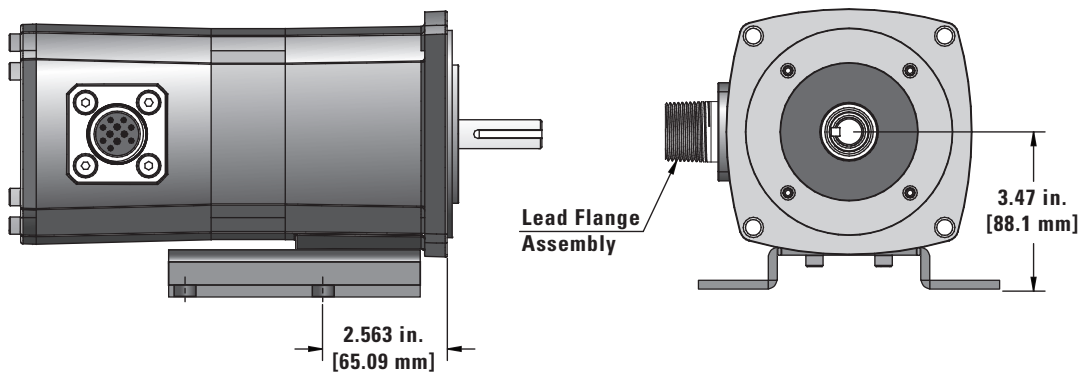
One set of (4) screws and (1) capsule of thread-locker is supplied in each kit to mount the base to the motor or gearmotor. The (4) slots in the base are .34 wide and they can accommodate fasteners up to 5/16 [8mm] diameter. The fasteners to secure the base to the mounting surface are supplied by the user.

Mounting Instructions

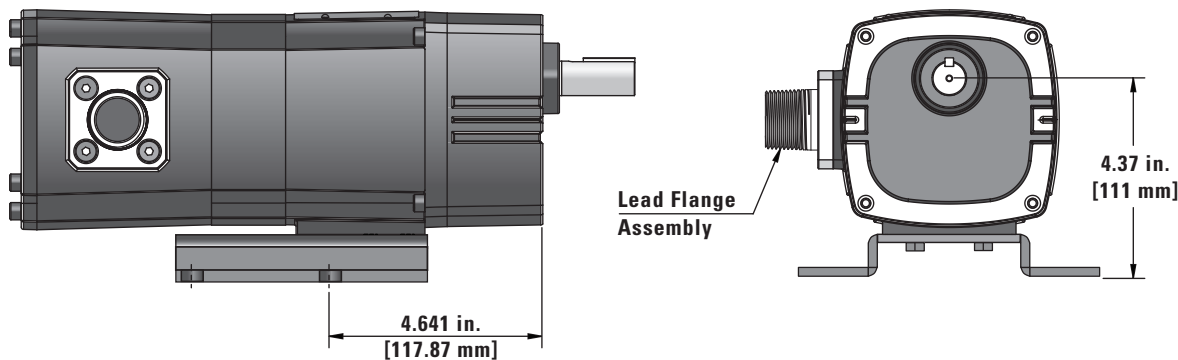
The base can be attached to a Bodine type 34R/34B "BX" Class I/Div 1 gearmotor or motor.

Align base to mounting holes and apply thread-locker to the threaded portion of the supplied screws. Tighten screws to 60-70 lb-in. torque. The gearmotor can be mounted in any position, however it is preferable to mount the gearmotor horizontally with the drive shaft in the 12 o'clock position as shown below. If the gearmotor or motor is mounted with the lead exit facing the mounting surface, there may not be adequate clearance for the lead flange assembly or optional (user-supplied) conduit box.

Type 34B6BXBL BLDC or 34R6BXPP Inverter-Duty Motor with Base Mount Kit Installed (dimensions in inches unless otherwise noted)



Type 34B6BXBL-FX BLDC or 34R6BXPP-FX Inverter-Duty Gearmotor with Base Mount Kit Installed



Model 0931 Base mount Kit Dimensions (Top dimensions are in inches. Dimensions in brackets are in mm)

