



# Brushless DC Gearmotors for Class I/Div. 2 Hazardous Locations

Type 34B/SR-WX BLDC Gearmotors with Built-In Speed Controls

Our 34B4/SR-WX INTEGRAmotors™ meet NEC Class I, Division 2 standards for use in environments where flammable gases or vapors may accidentally be spilled or leak into the operating area. Available as standard products, they combine a PWM speed control, a brushless DC motor and a high-torque gearhead in one compact package.

### Class I, Division 2 Construction

- Suitable for environments where flammable vapors may occasionally be present
- Upgraded terminal boxes, gasket material and bushings
- Specially coated commutator assembly
- Control board coated for outdoor applications

### 34B4-WX Gearmotor Features

- High starting torque; linear speed-torque characteristics
- Ideal for variable speed applications
- Zero maintenance, lasts longer than brush-type DC motors
- All steel helical gears, synthetic lubricant
- No carbon dust from brushwear, no brushes to replace

### INTEGRA Control Features

- 12 or 24 VDC rated models
- Inputs for run, brake, speed and direction
- 12 pulse/revolution tach output
- Dynamic braking for quick stops
- Current limit protects motor from overload



### Typical Applications

Ideal for low-voltage automation systems, and for portable or remote applications where connection to an AC line is not possible. Also suitable for solar or battery powered equipment such as pumps, and automatic gate openers.

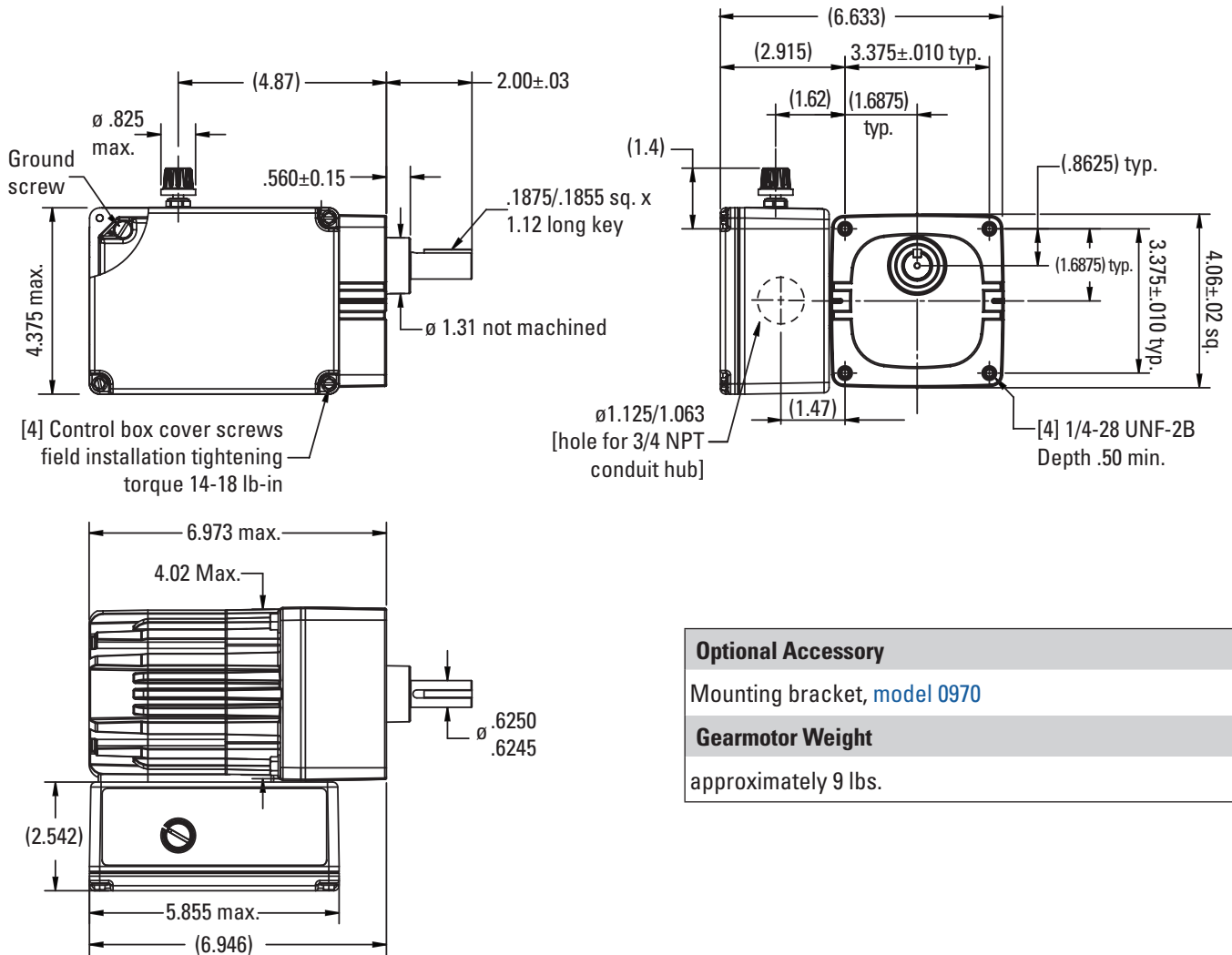
Type 34B/SR-WX INTEGRAmotor Gearmotor (Rating for Either 12 or 24 VDC Version)

Speed (rpm)	Rated Torque (lb-in.)	HP		Gear Ratio: 1	Radial Load (lbs)	Control Input Continuous Amps		Product Type	12 VDC Model No.	24 VDC Model No.
		12 VDC Models	24 VDC Models			12 VDC Models	24 VDC Models			
8	205	1/5	1/4	312	130	19.0	11.0	34B4BEBL/SR-WX4	3293	3893
15	200			172	130			34B4BEBL/SR-WX4	3292	3892
26	185			98	140			34B4BEBL/SR-WX4	3290	3890
38	190			66	140			34B4BEBL/SR-WX3	3288	3888
46	185			55	130			34B4BEBL/SR-WX3	3287	3887
57	157			44	130			34B4BEBL/SR-WX3	3286	3886
84	106			30	160			34B4BEBL/SR-WX3	3285	3885
123	77			20	60			34B4BEBL/SR-WX2	3284	3884
181	46			14	65			34B4BEBL/SR-WX2	3283	3883
266	31			9	80			34B4BEBL/SR-WX2	3282	3882
455	18	6	90	34B4BEBL/SR-WX2	3280	3880				
658	9	4	65	34B4BEBL/SR-WX2	3279	3879				



# Brushless DC Gearmotors for Class I/Div. 2 Hazardous Locations

Type 34B/SR-WX BLDC Gearmotors with Built-In Speed Controls



<b>Optional Accessory</b>
Mounting bracket, <a href="#">model 0970</a>
<b>Gearmotor Weight</b>
approximately 9 lbs.



**Bodine offers over 1,400 standard gearmotors, motors and system-matched speed controls.**

**Visit [bodine-electric.com](http://bodine-electric.com) for all your motion control needs.**

Bodine offers the widest selection of variable-speed AC, permanent magnet DC and brushless DC fractional horsepower gearmotors and motors in the industry. For complete specifications, 2D/3D CAD drawings, or to order online, visit [bodine-electric.com](http://bodine-electric.com).

