



# 34R-WX AC CI/D2 Gearmotors

Class I, Division 2 Construction For Hazardous Locations

Our 34R-WX permanent split capacitor (PSC) gearmotors are available with factory-installed terminal box, terminal block, and capacitor. These special-order gearmotors meet NEC Class I, Division 2 standards for use in environments where flammable gases or vapors may accidentally be spilled or leak into the operating area. Minimum order quantities and lead times apply for these products.

## Class I, Division 2 Construction

- Suitable for environments where flammable vapors may occasionally be present
- Upgraded terminal box, gasket material and bushings

## WX Gearhead Features

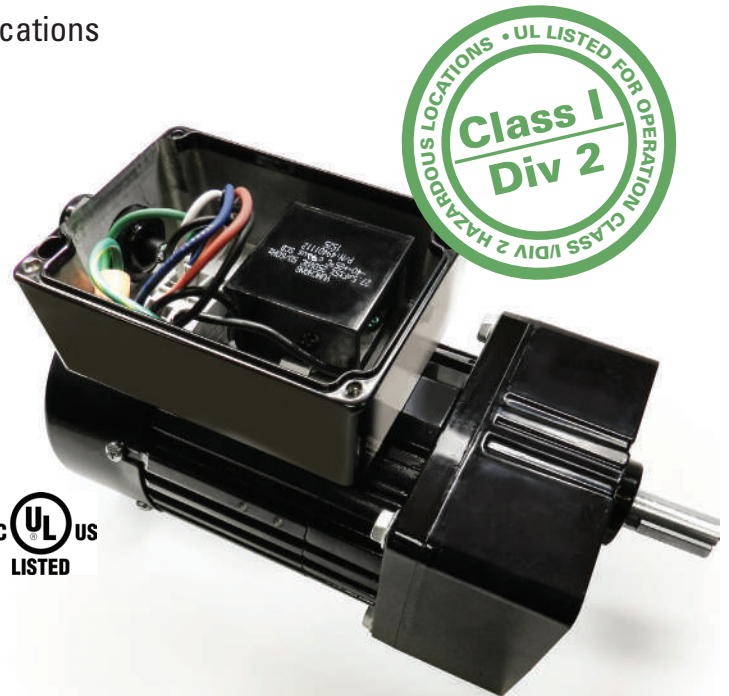
- All steel helical gears; lubricated for life
- Gearing meets or exceeds AGMA 9 standards for quiet operation
- Synthetic lubricant improves performance, and allows these gearmotors to operate in a wide temperature range
- Adaptor plate, model 0995, allows for 3-hole mounting configuration

## OEM Winding Options:

- Fixed speed AC, 3-wire reversible
- Fixed speed AC, 4-wire reversible
- Variable speed, AC 3-phase, inverter duty

## Gearmotor Specifications and Ratings

Speed (rpm)	Rated Torque (lb-in.)	Motor HP	V	Hz	Ph	Amps	Gear Ratio	Radial Load (lbs.)	Capacitor (µF/VAC)	Product Type	Model Number
<b>Permanent Split Capacitor, Non-synchronous, 3-Wire-Reversible (TEFC)</b>										<b>CAPACITOR IS PRE-INSTALLED</b>	
5	210	1/7	115	60	1	1.7	312	130	27.5/250 (pre-installed)	34R6BFCI-WX4	Contact Bodine
10	200						172	130		34R6BFCI-WX4	
17	195						98	130		34R6BFCI-WX4	
26	195						66	130		34R6BFCI-WX3	
31	190						55	130		34R6BFCI-WX3	
39	157						44	130		34R6BFCI-WX3	
57	106						30	130		34R6BFCI-WX3	
83	77						20	65		34R6BFCI-WX2	
123	46						14	65		34R6BFCI-WX2	
181	31						9	65		34R6BFCI-WX2	
309	18						6	65		34R6BFCI-WX2	
447	9						4	65		34R6BFCI-WX2	



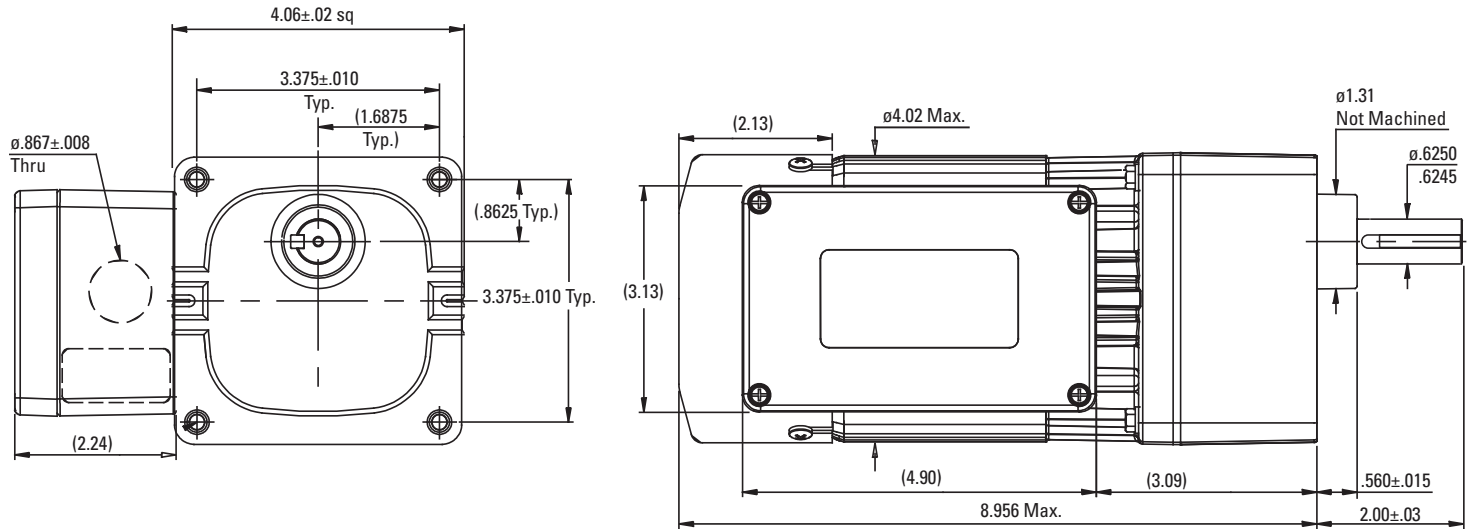
## Typical Applications

These gearmotors are designed to drive applications such as conveyor systems, packaging equipment, metering devices, commercial appliances and applications that require Class I, Div 2 standards.



## 34R-WX Class I, Division 2 AC Gearmotor

Dimensions (inches).



**Also available as:**



## Brushless DC Gearmotors for Class I/Div. 2 Hazardous Locations

### Type 34B/SR-WX BLDC Gearmotors with Built-In Speed Controls

Our 34B4/SR-WX INTEGRAmotors™ meet NEC Class I, Division 2 standards for use in environments where flammable gases or vapors may accidentally be spilled or leak into the operating area. Available as standard products, they combine a PWM speed control, a brushless DC motor and a high-torque gearhead in one compact package.