



a technical paper from **Bodine Electric Company**

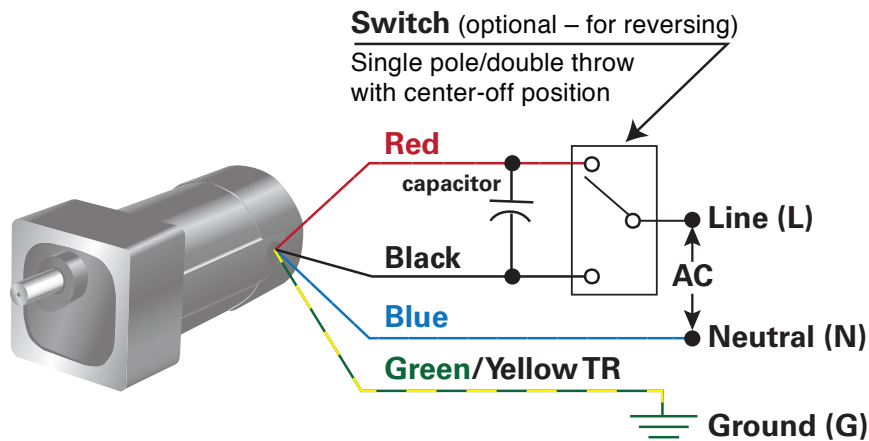
## How to Wire an Optional Reversing Switch to a 3- or 4-wire AC (PSC) Motor or Gearmotor (115VAC/60Hz Models)

These connection diagrams show how to wire an optional switch to reverse the direction of a 3- or 4-wire Bodine permanent split capacitor (PSC) motor/gearmotor. All the wiring diagrams use variations of a double throw switch, with a center-off position.

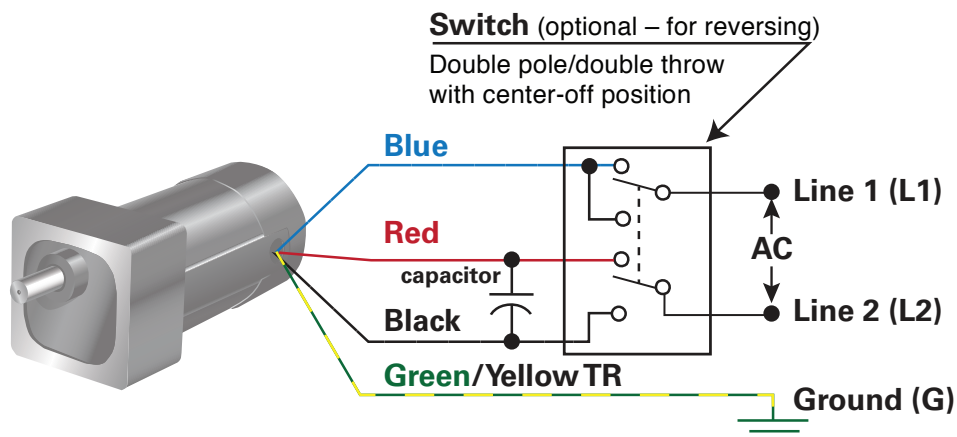
The purpose of the center-off position is to bring the motor to a complete stop before reversing its direction. **Table 1** on page 2 shows examples of switch manufacturers, part numbers and specifications recommended for use with Bodine products.

### 3-Wire Bodine AC Motor or Gearmotor

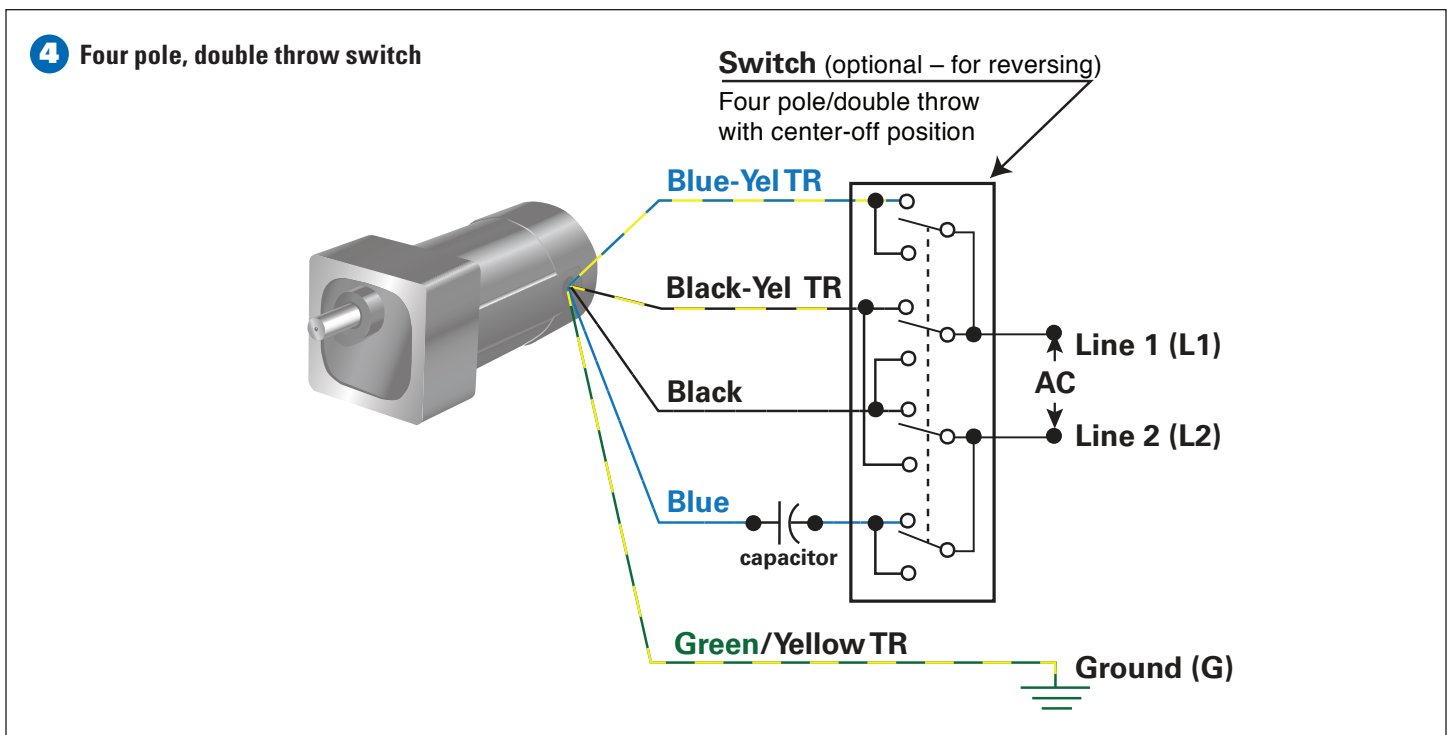
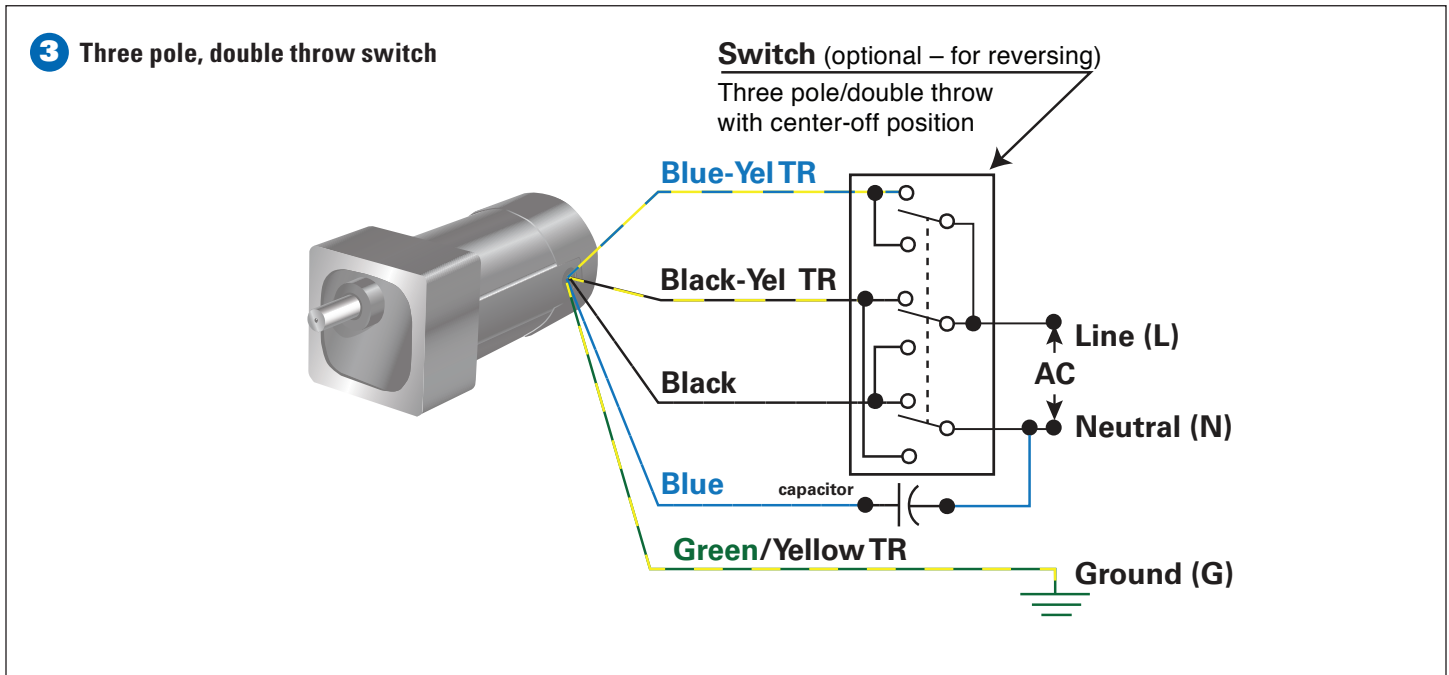
#### 1 Single pole, double throw switch



#### 2 Double pole, double throw switch



**4-Wire Bodine AC Motor or Gearmotor**



**Table 1: Switch Specification Examples:**

Figure	Switch Type	Manufacturer and Part Number	Amps	Operation	Terminals
<b>Bodine 3-wire Gearmotor/Motor</b>					
1	Single Pole, Double Throw	Carling Technologies, 2FC53-73-TABS	15A @125VAC	On-Off-On	Quick Connect
2	Double Pole, Double Throw	Carling Technologies, 2GM51-73	15A @125VAC	On-Off-On	Quick Connect
<b>Bodine 4-wire Gearmotor/Motor</b>					
3	Three Pole, Double Throw	Carling Technologies, HM251-73	15A @125VAC	On- Off-On	Quick Connect
4	Four Pole, Double Throw	Carling Technologies, IM251-73	15A @125VAC	On- Off-On	Quick Connect