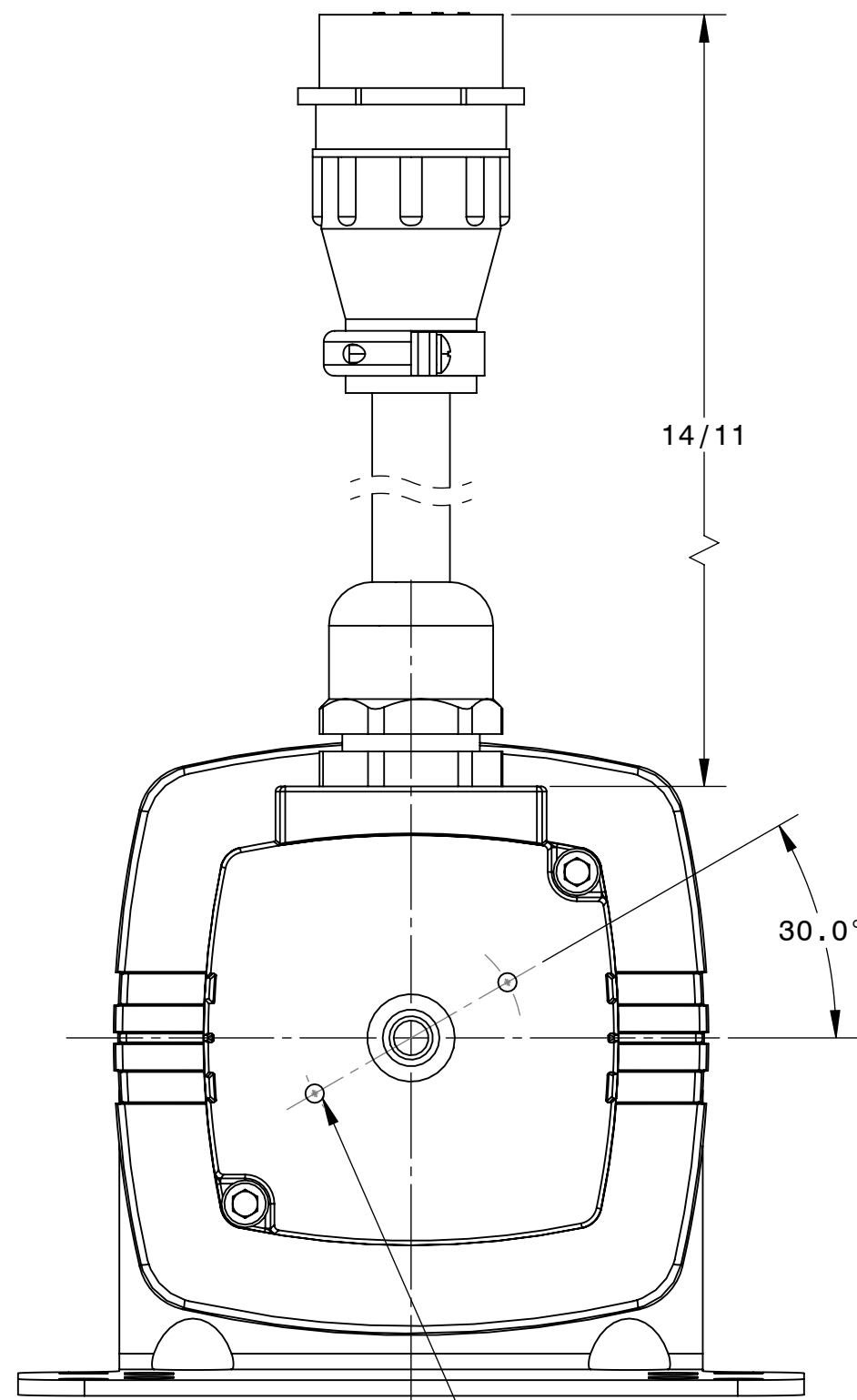
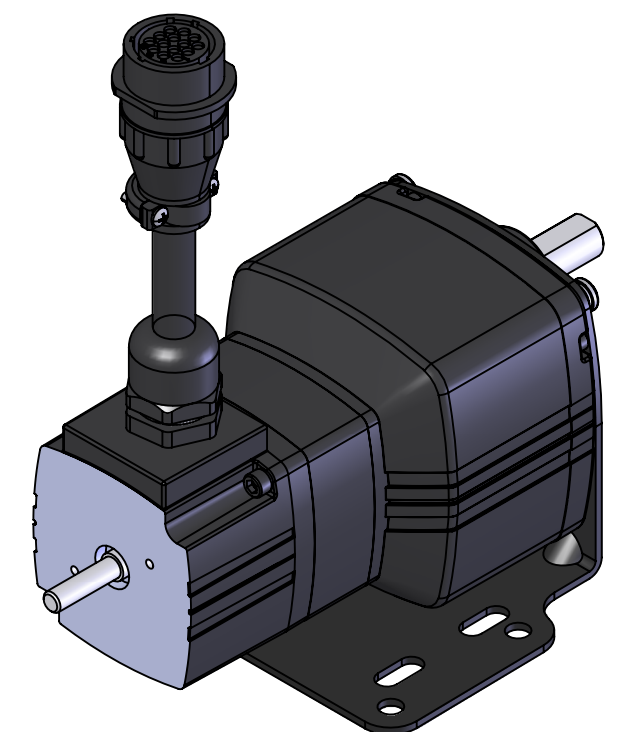
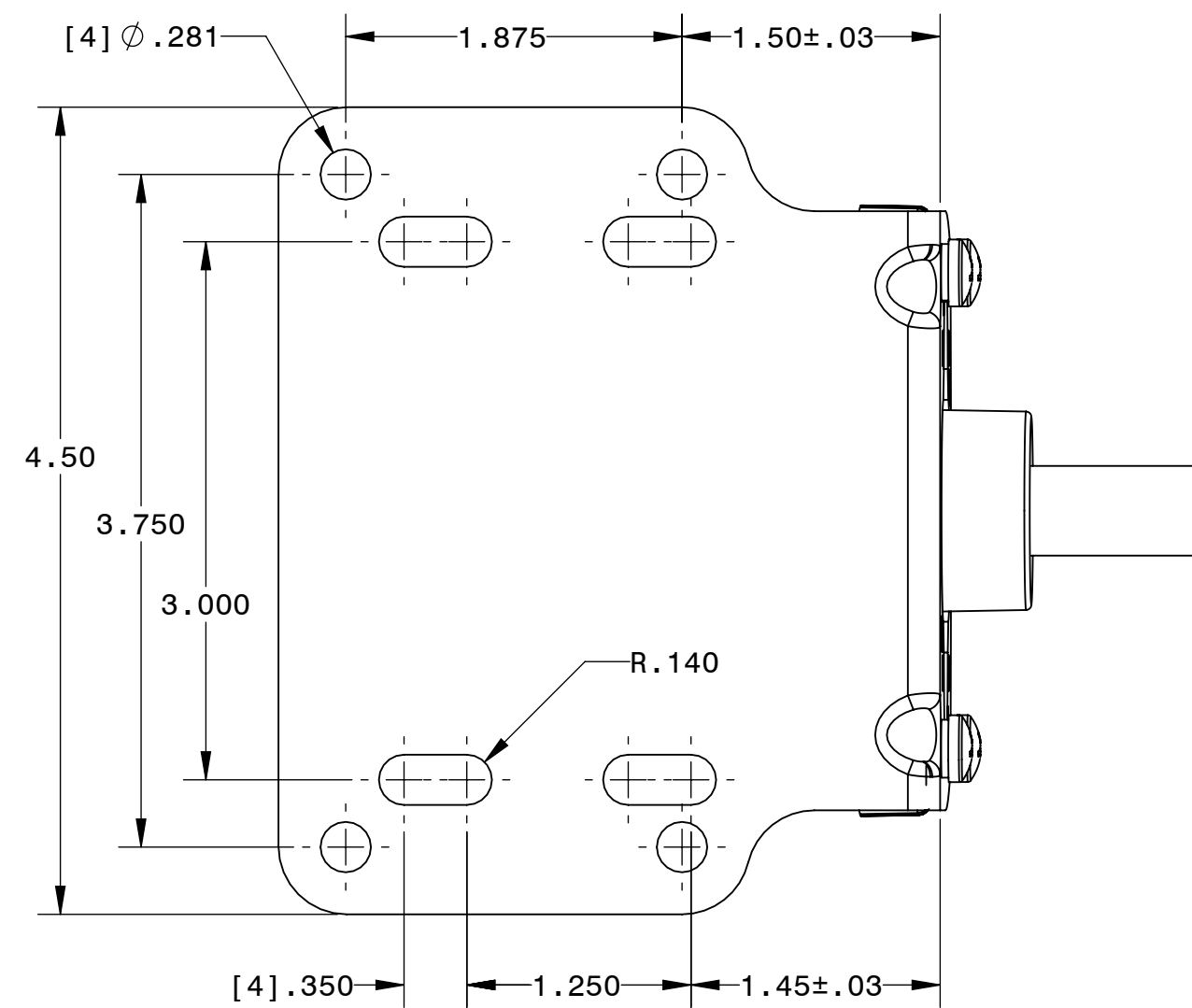
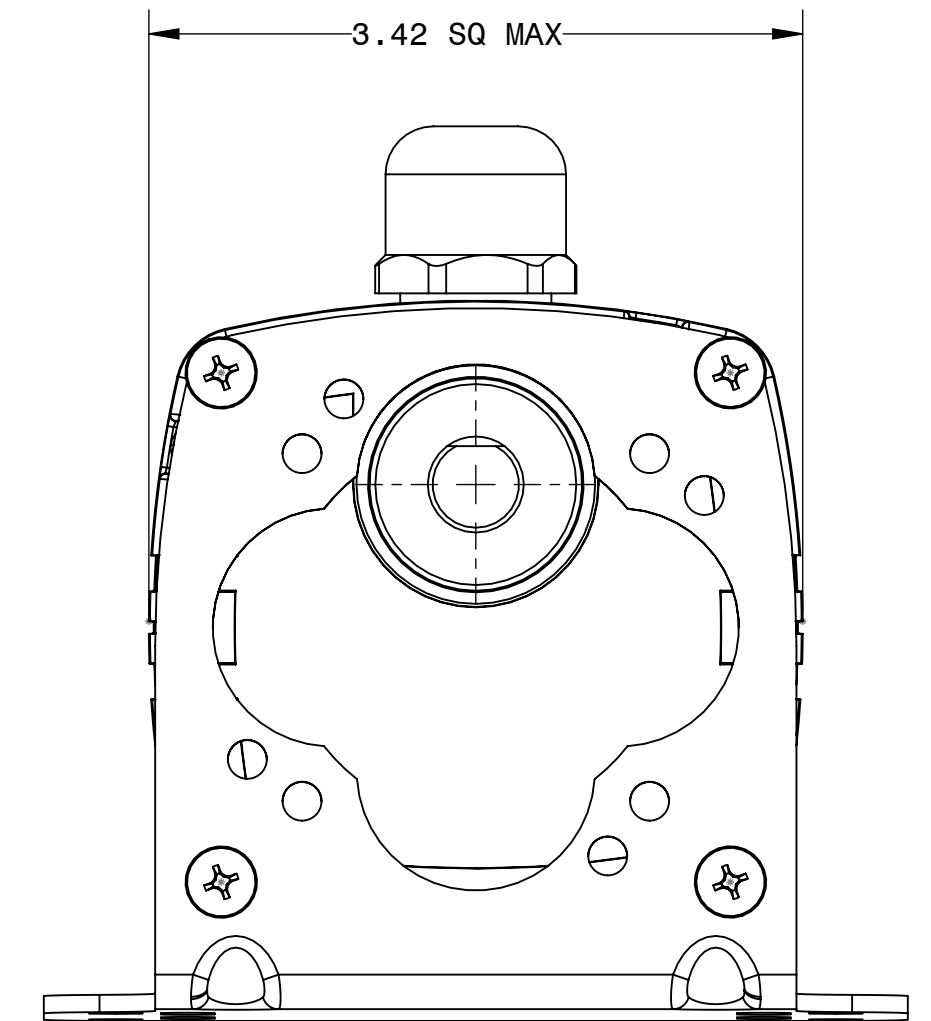
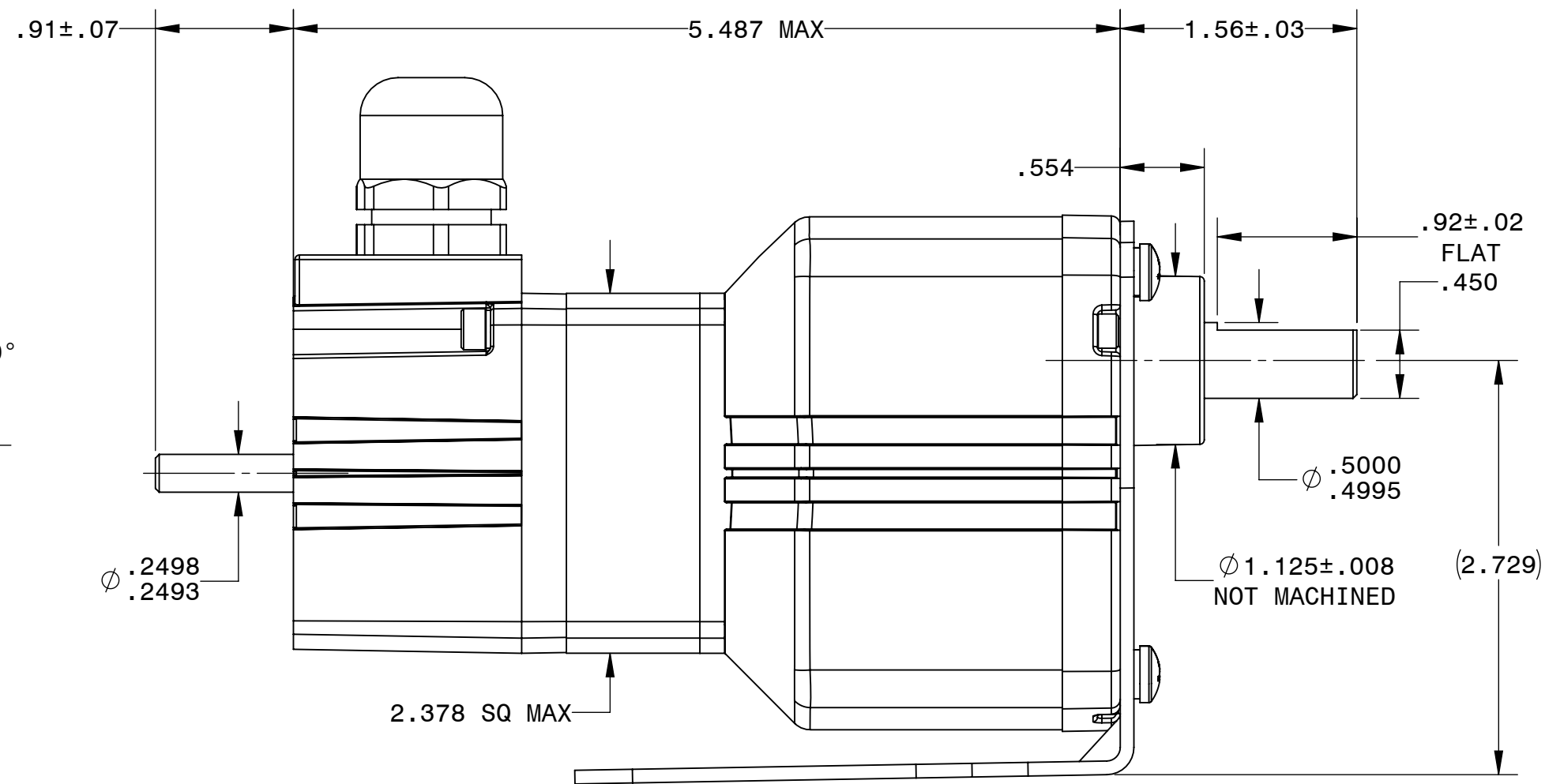


DESCRIPTION: GEARMOTOR 22B2FEBL-D3/4 WITH L BRACKET	
SHEET: 1/1	UNLESS OTHERWISE SPECIFIED:
SCALE: 1:1	UNITS ARE IN INCHES [mm]
C	TOLERANCES: .XX:±.01 .XXX:±.005 ANGLES: X°:±3° X.X°:±0.5°

NOTES:  
1. TORQUE SCREWS TO ATTACH MODEL 5968 BRACKET TO GEARMOTOR WITH 30 LB-IN



[2] #6-32 UNC-2B  
.19 MAX  $\nabla$  180° APART  
ON  $\phi$ 1.274



REPRESENTATIVE OF MODEL NUMBER(S): [WITH OPTIONAL BRACKET MODEL 5968]

3426 3427 3428 3429 3430 3431 3433