

4

3

2

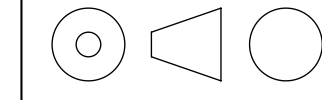
1

# BODINE ELECTRIC COMPANY

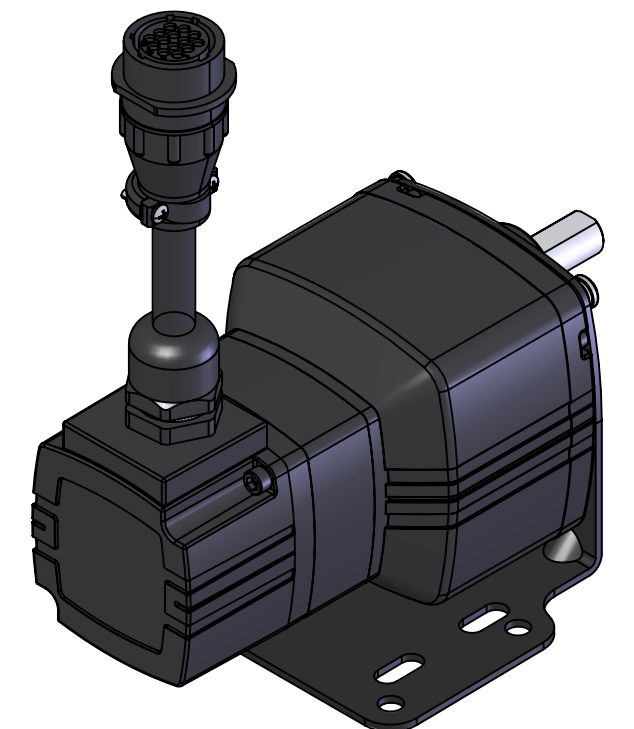
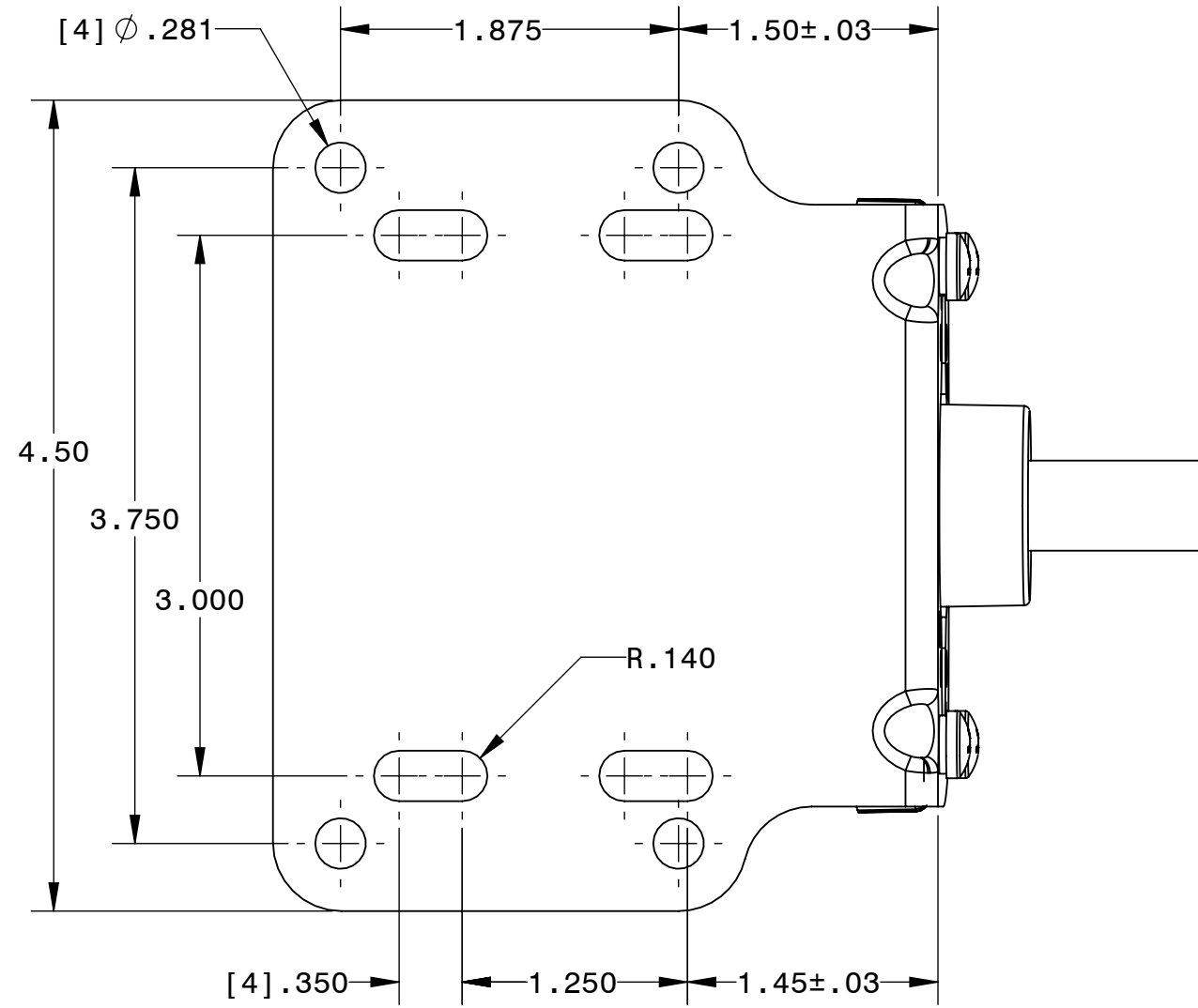
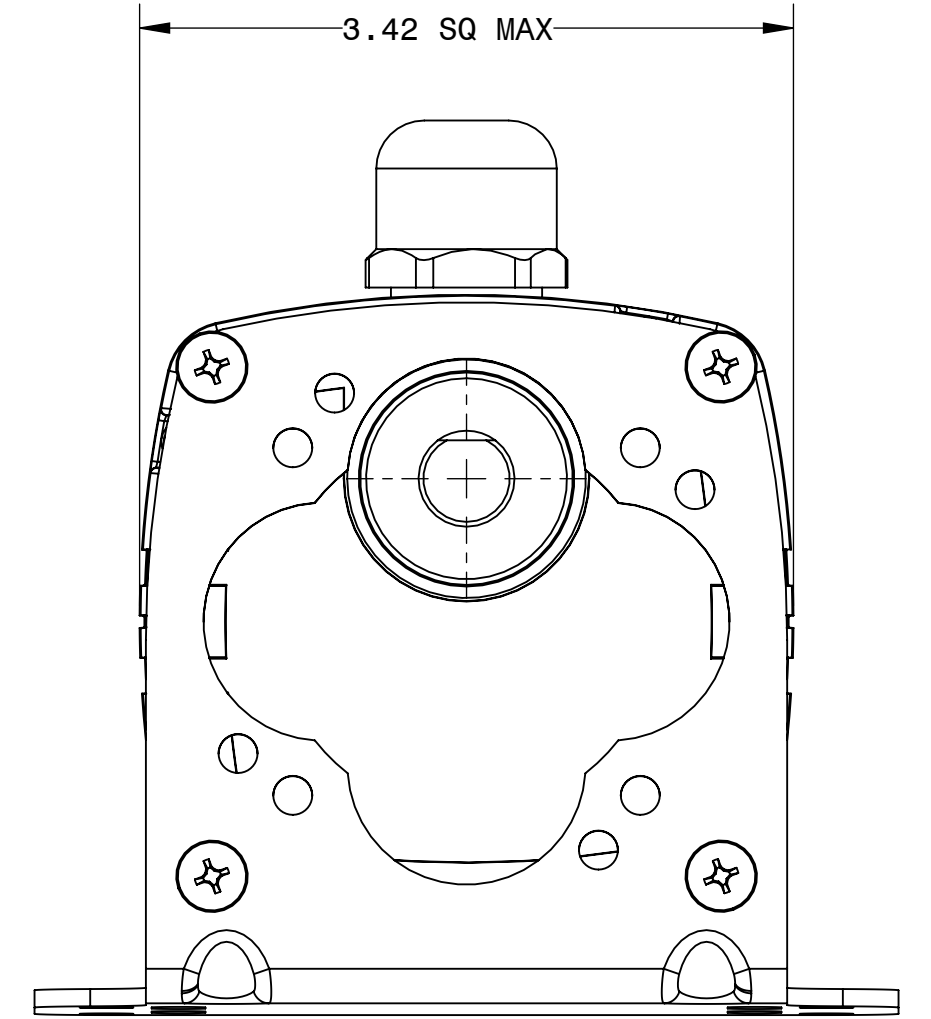
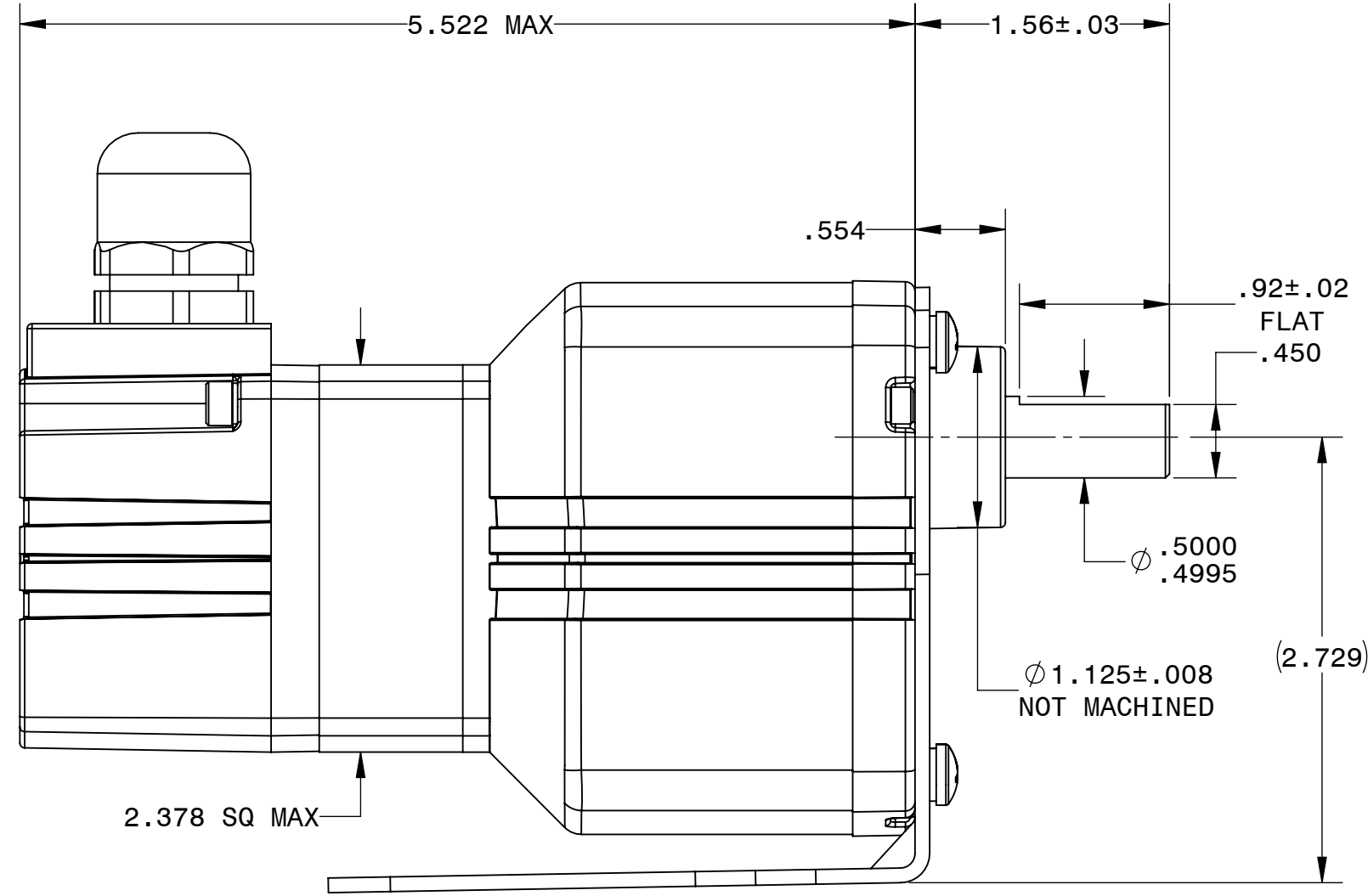
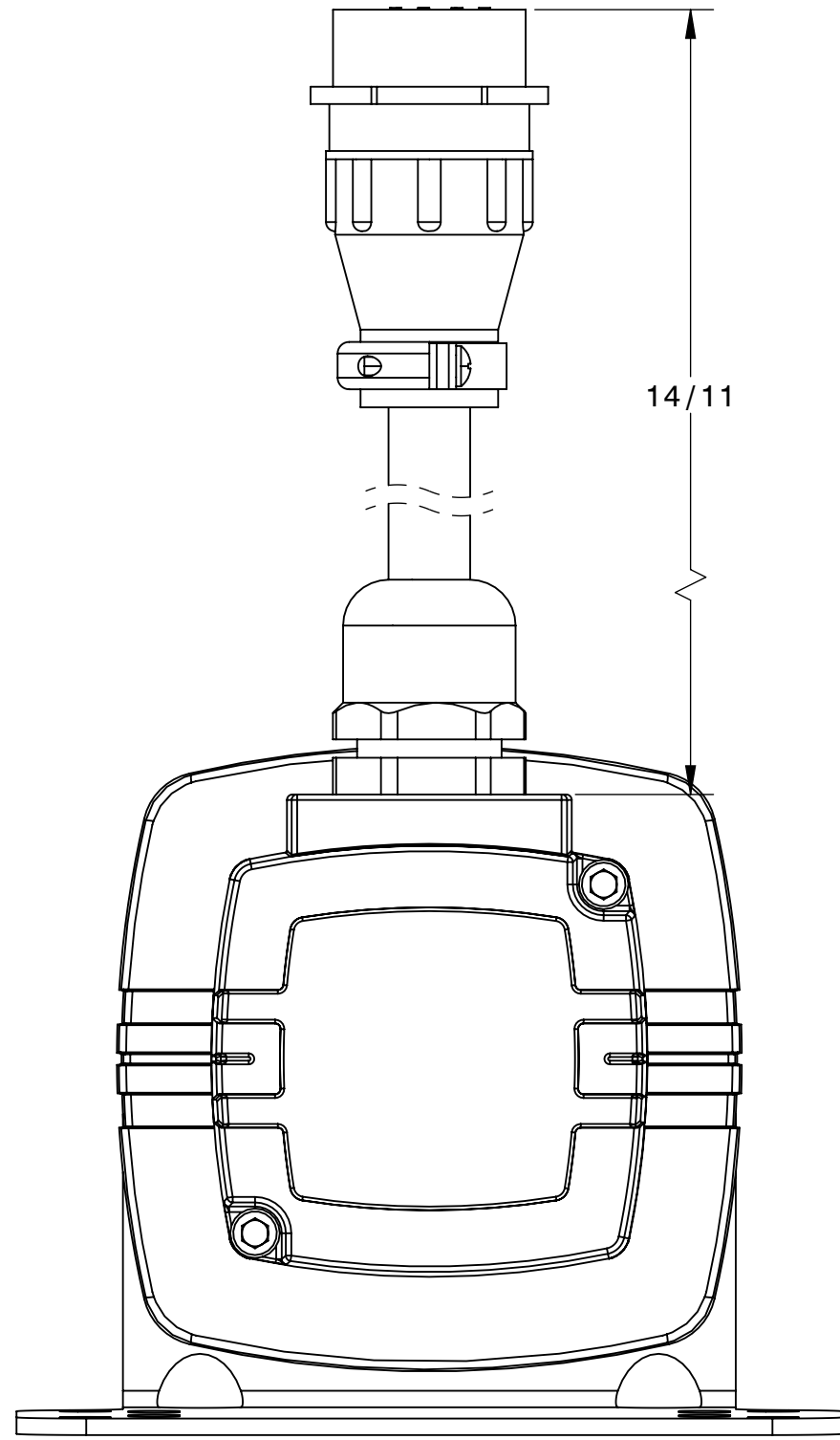
PART NO./REV: INFM0303 A

### NOTES:

1. TORQUE SCREWS TO ATTACH MODEL 5968 BRACKET TO GEARMOTOR WITH 30 LB-IN



DESCRIPTION: GEARMOTOR 22B2BEBL-D3/4 WITH L BRACKET	
SHEET: 1/1	UNLESS OTHERWISE SPECIFIED:
SCALE: 1:1	UNITS ARE IN INCHES [mm]
<b>C</b>	TOLERANCES: .XX:±.01 .XXX:±.005 ANGLES: X°:±3° X.X°:±0.5°



REPRESENTATIVE OF MODEL NUMBER(S): [WITH OPTIONAL BRACKET MODEL 5968]

3326 3327 3328 3329 3330 3331 3333

4

3

2

1