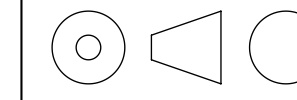
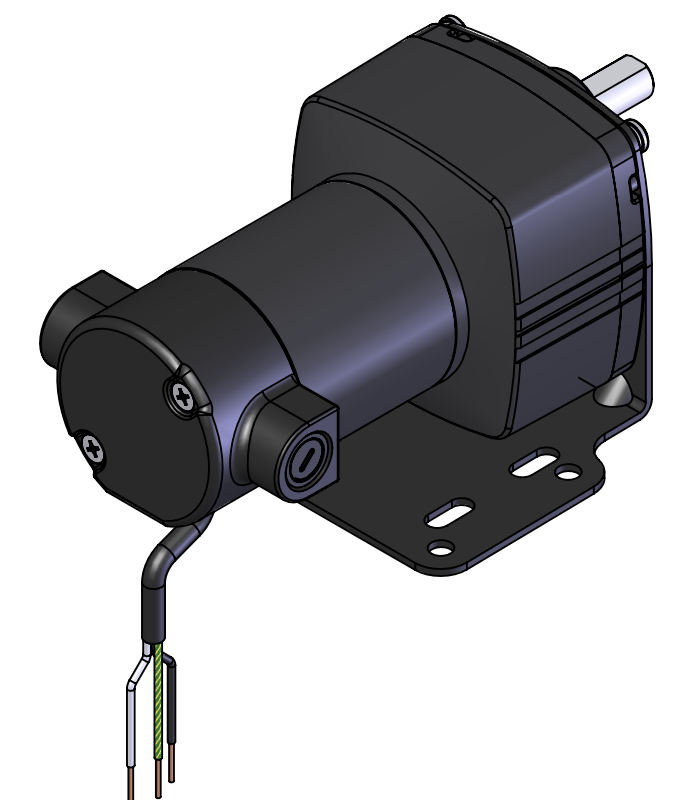
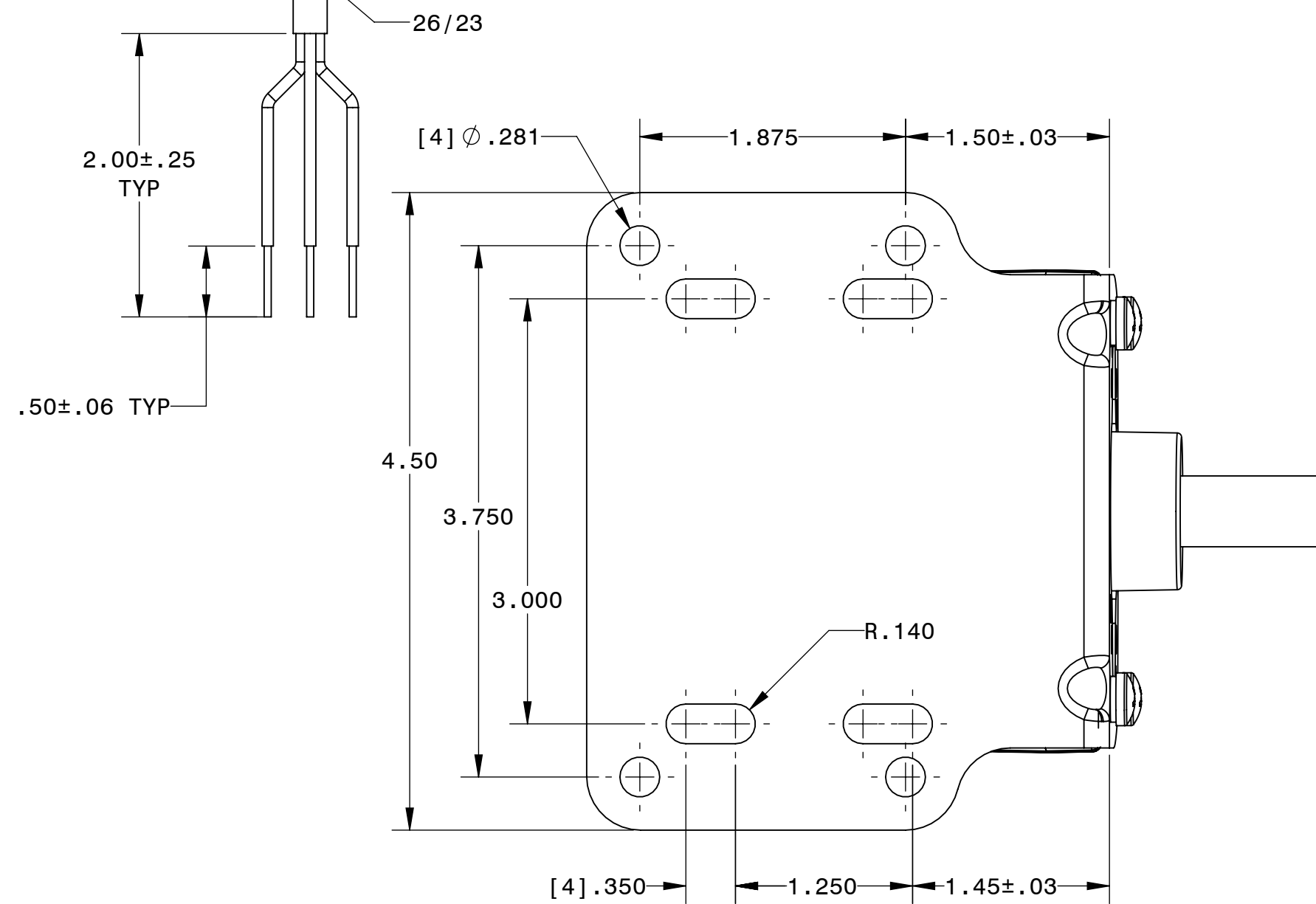
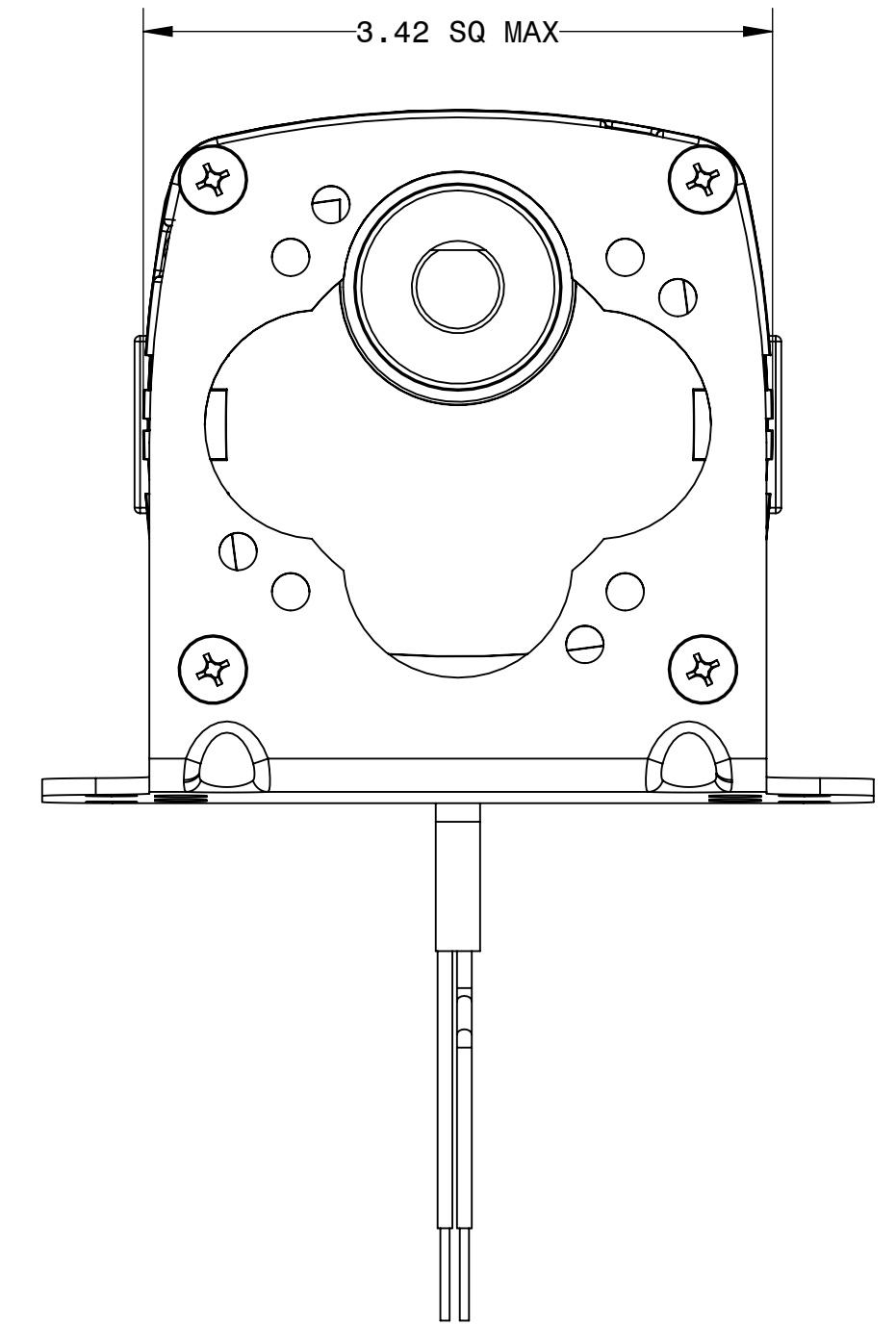
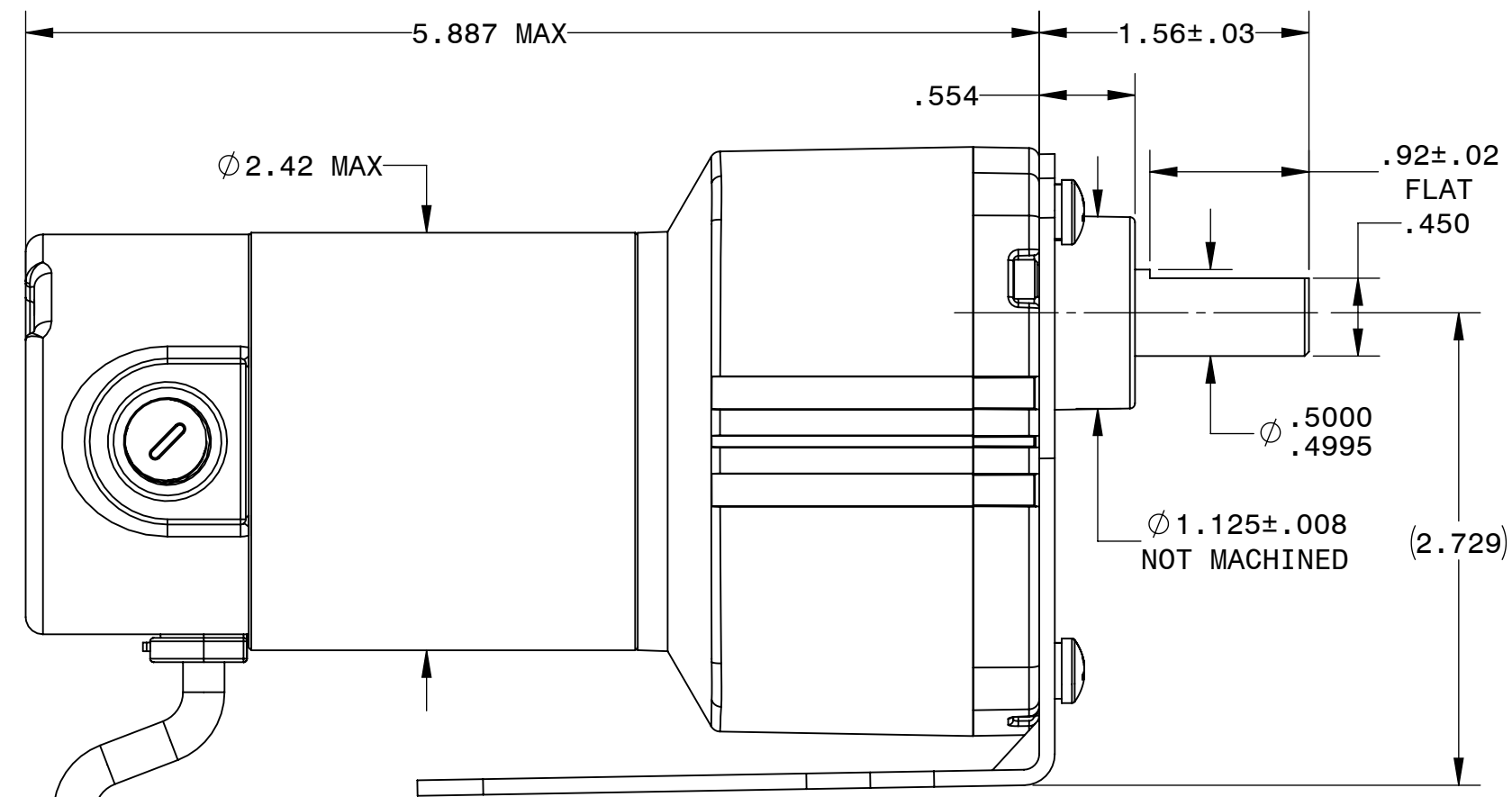
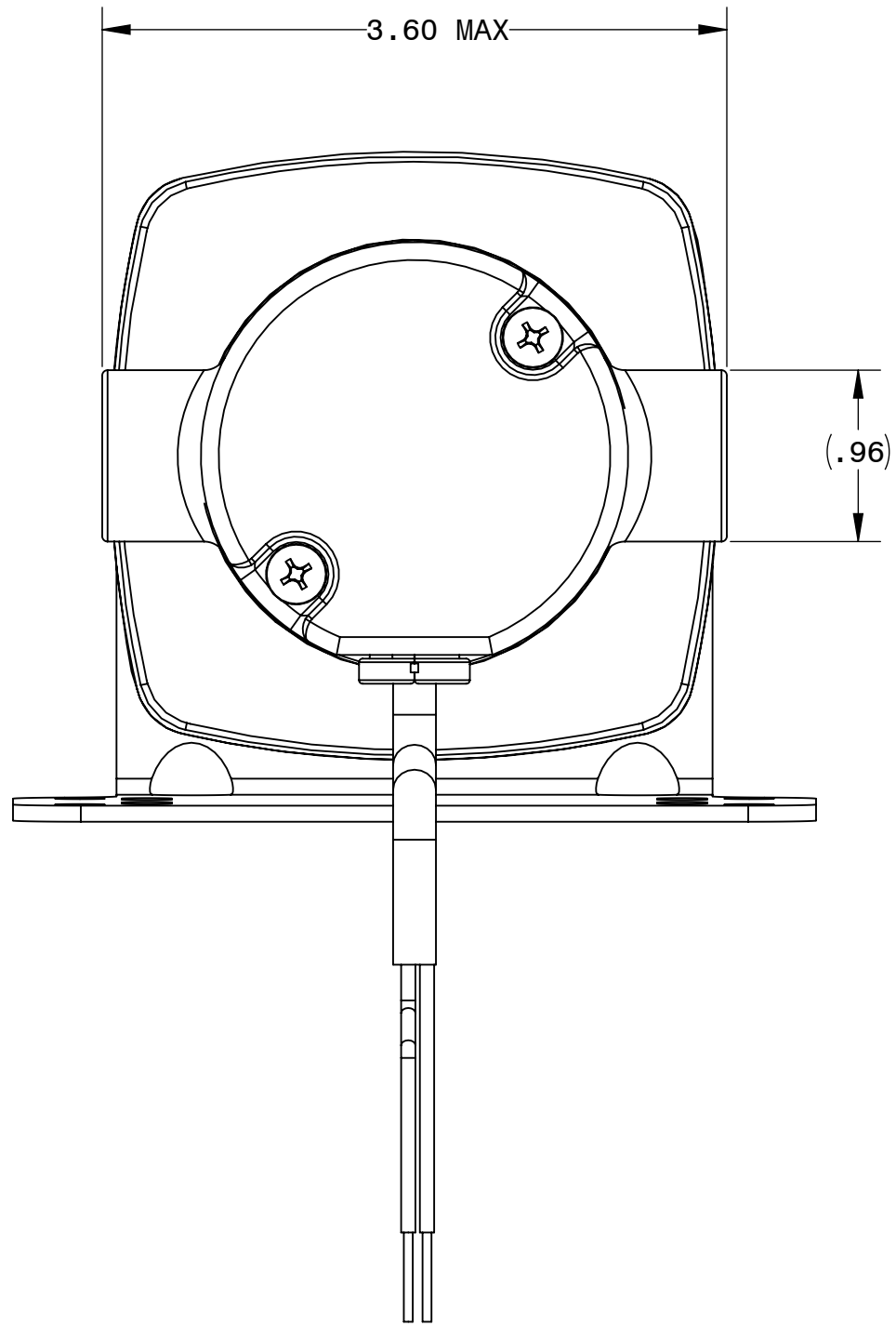


NOTES:
1. TORQUE SCREWS TO ATTACH MODEL 5968 BRACKET TO GEARMOTOR WITH 30 LB-IN



DESCRIPTION:
GEARMOTOR 24A2BEPM-D3/4/5
WITH L BRACKET

SHEET: 1/1
SCALE: 1:1
C
UNLESS OTHERWISE SPECIFIED:
UNITS ARE IN INCHES [mm]
TOLERANCES: .XX:±.01 .XXX:±.005
ANGLES: X°:±3° X.X°:±0.5°



REPRESENTATIVE OF MODEL NUMBER(S): [WITH OPTIONAL BRACKET MODEL 5968]

0191 0192 0193 0194 0194 0195 0196 0197 0198 0199 4791 4792 4793 4794 4795 4796 4798 4799