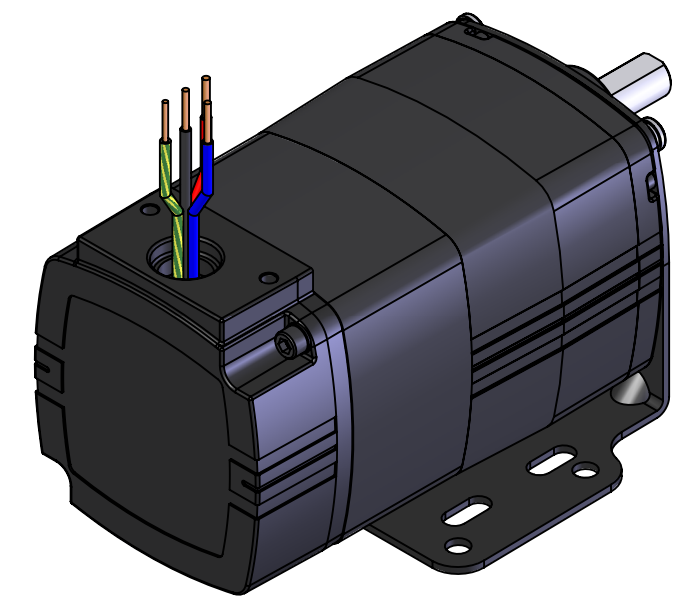
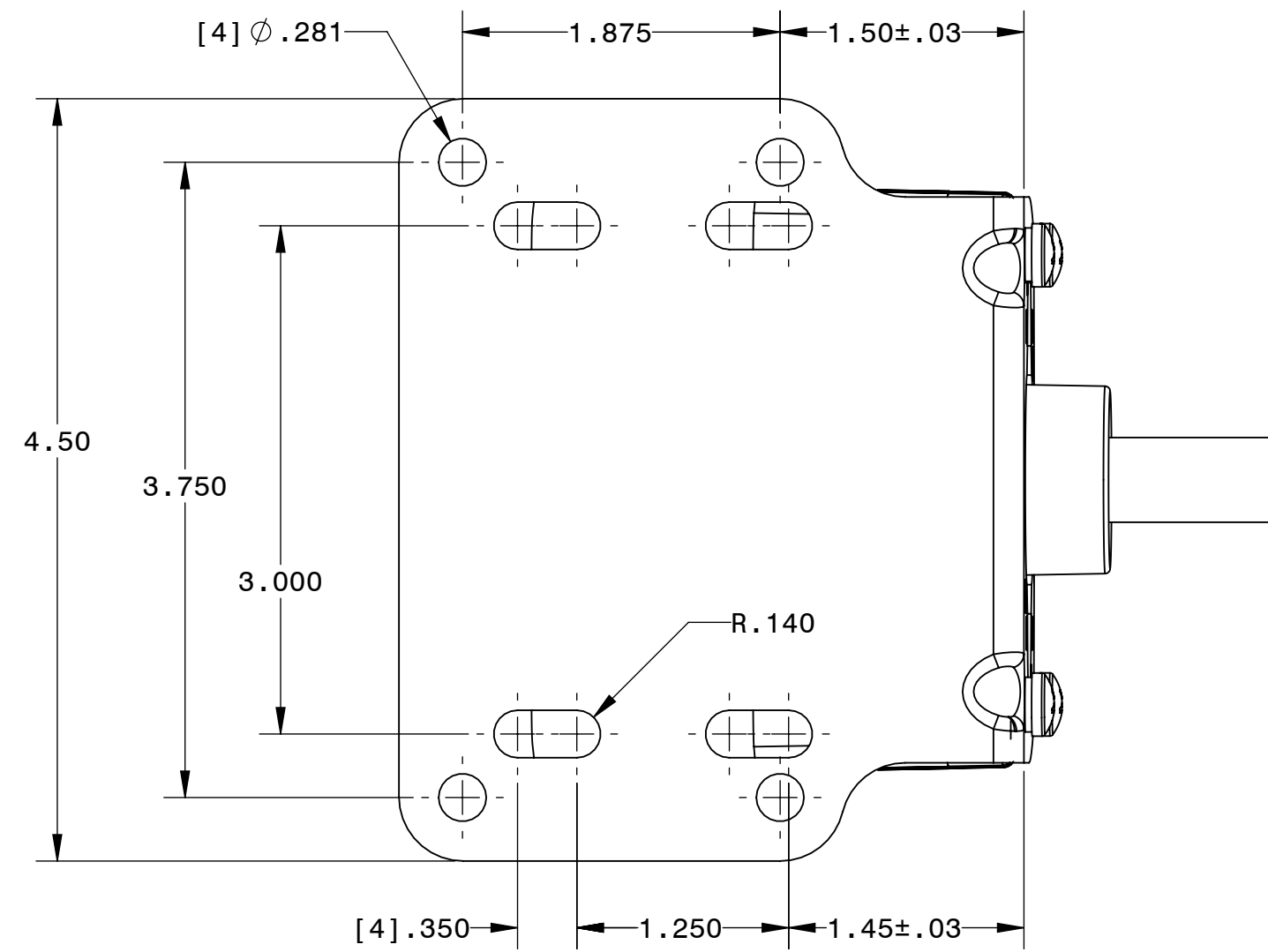
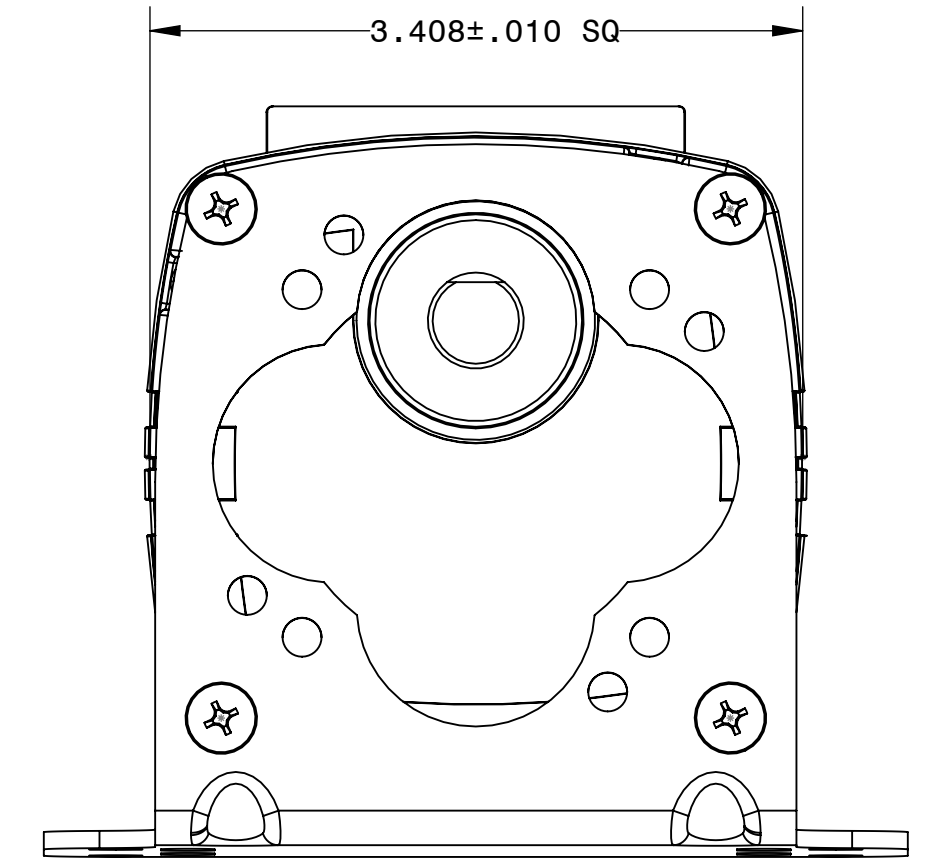
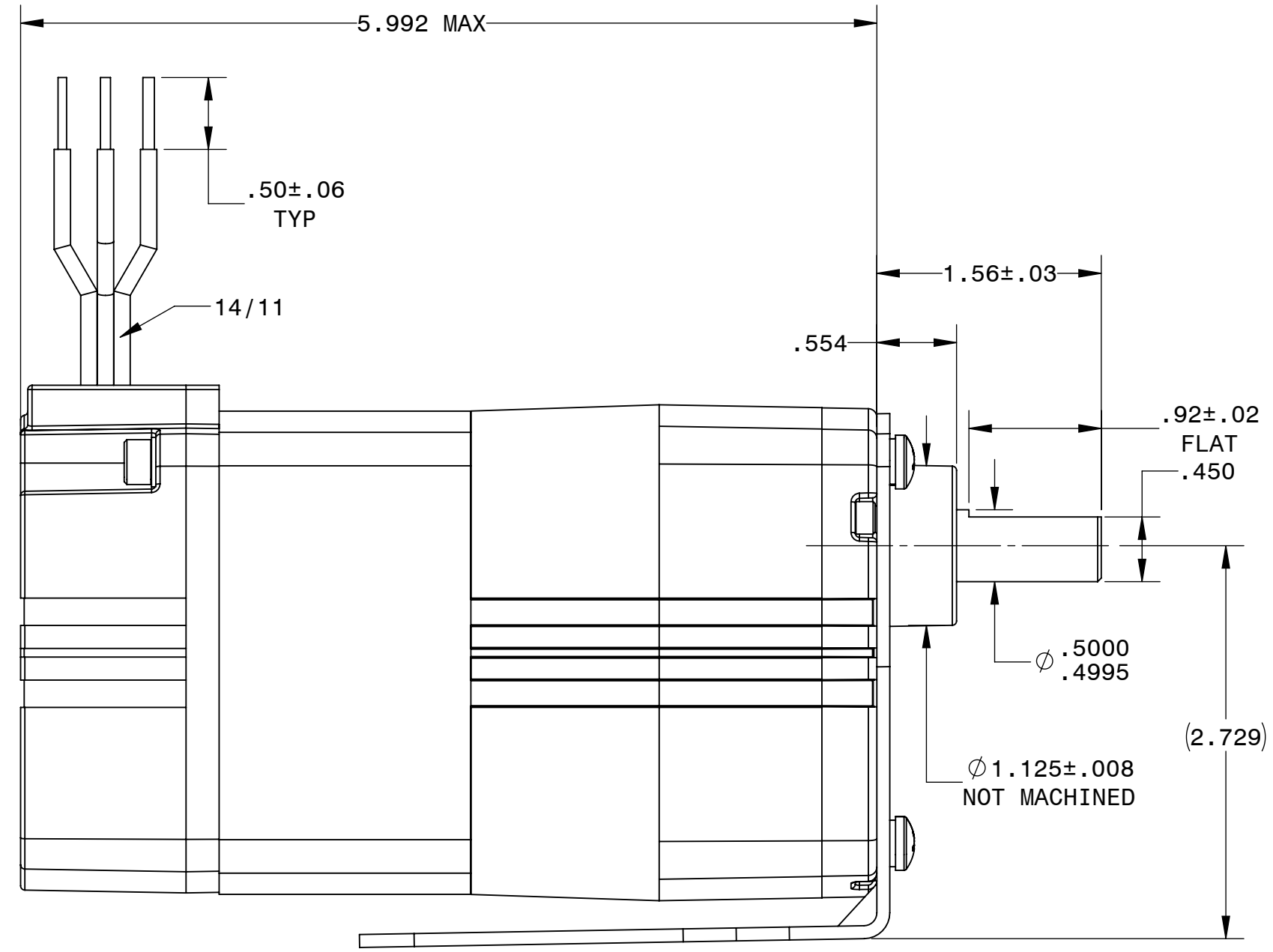
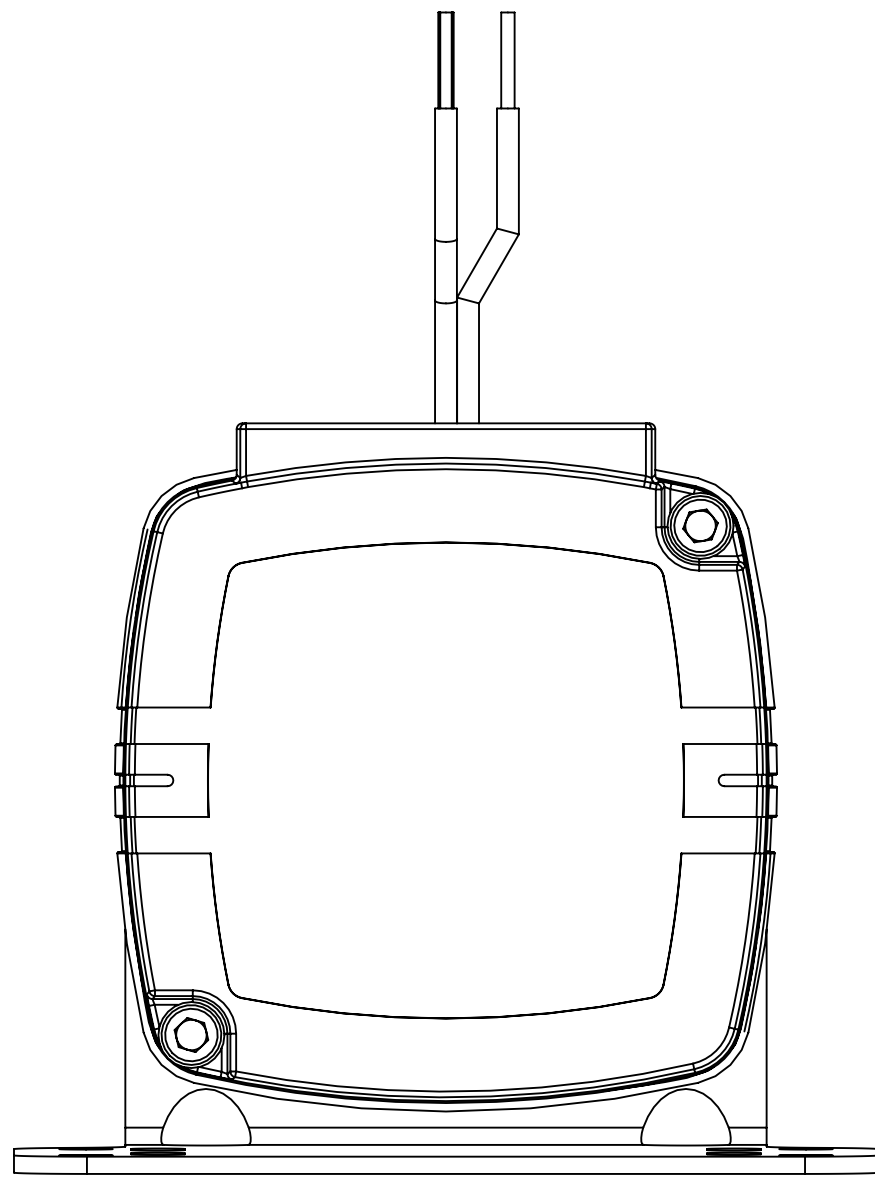


| | |
|---|--|
| DESCRIPTION: GEARMOTOR 30R4BEPP D3 WITH L BRACKET | |
| SHEET: 1/1 | UNLESS OTHERWISE SPECIFIED: |
| SCALE: 1:1 | UNITS ARE IN INCHES [mm] |
| C | TOLERANCES: .XX:±.01 .XXX:±.005 ANGLES: X°:±3° X.X°:±0.5° |

NOTES:
1. TORQUE SCREWS TO ATTACH MODEL 5968 BRACKET TO GEARMOTOR WITH 30 LB-IN



REPRESENTATIVE OF MODEL NUMBER(S): [WITH OPTIONAL BRACKET MODEL 5968]

2216