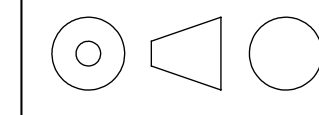
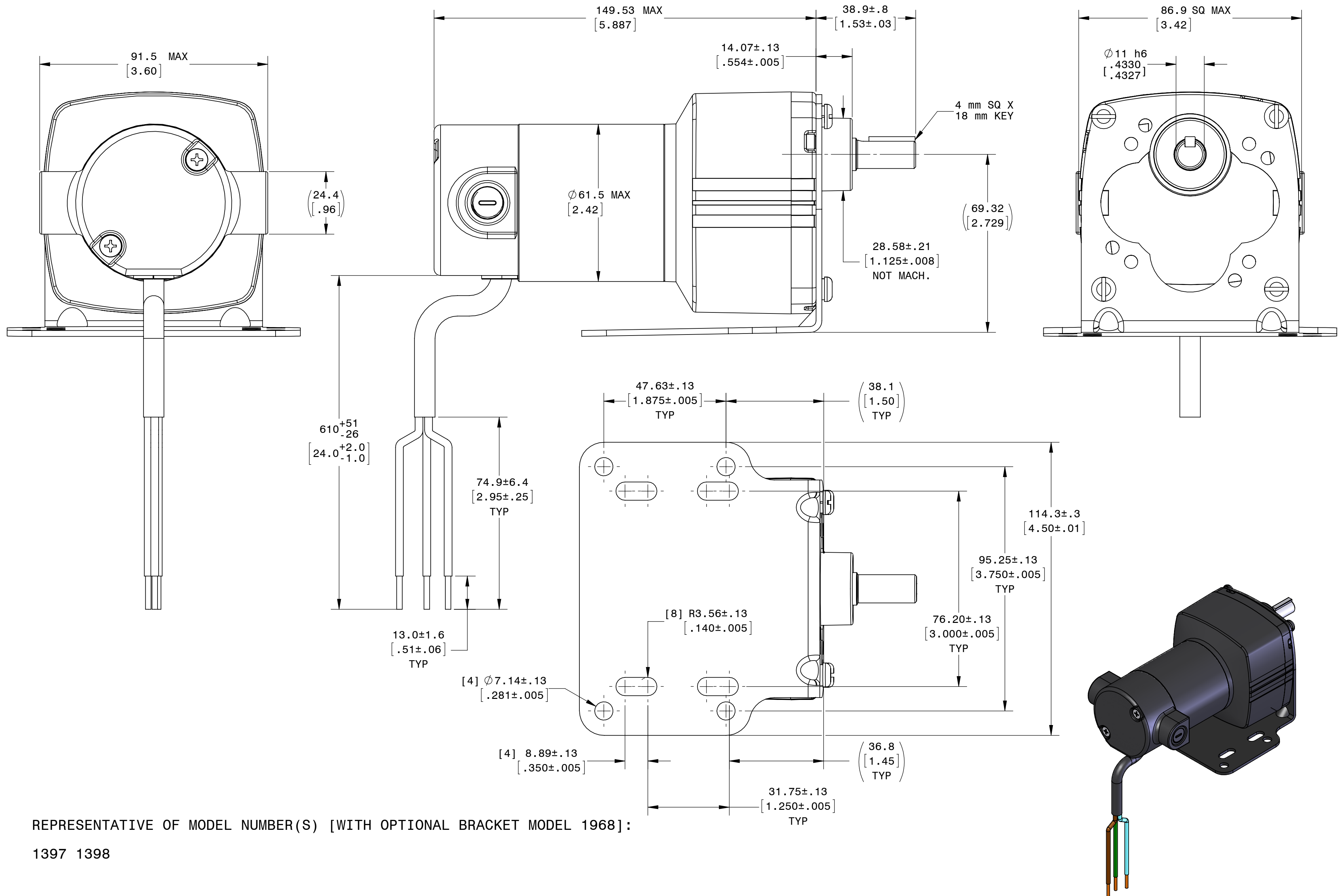


NOTES:
1. TORQUE SCREWS TO ATTACH MODEL 1968 BRACKET TO GEARMOTOR WITH 3.4 Nm



DESCRIPTION:
GEARMOTOR 24A2BEPM-D3/4/5 METRIC
WITH L BRACKET

SHEET: 1/1
SCALE: 1:1
UNLESS OTHERWISE SPECIFIED:
UNITS ARE IN mm [INCHES]
ANGLES: X°:±3° X.X°:±0.5°
C



REPRESENTATIVE OF MODEL NUMBER(S) [WITH OPTIONAL BRACKET MODEL 1968]:

1397 1398