



# New Hollow-Shaft Hypoid PMDC Gearmotors

## Low Voltage 12VDC and 24VDC

The new type 33A7-25H2 and 33A7-30H3 hypoid gearmotor combines our high-performance 33A PMDC motor with our all new hypoid gearheads. The gearmotor's high torque and efficient performance make it an ideal drive for battery or solar-powered gates, industrial conveyor systems, AGVs, mobile industrial equipment, or food-processing equipment.

### All-New Type 25H2 and 30H3 Hypoid Gearhead

- More energy-efficient than similar worm-gear models
- Hollow shaft eliminates expensive shaft couplings, and mounting hardware
- Unvented gearhousing mounts in any orientation
- Permanently lubricated with high-performance lubricant
- Hardened steel gears for long life and maximum performance

### 33A Motor Features

- Totally enclosed non-ventilated
- High starting torque
- Class "F" insulation and ratings.
- Pre-seated motor brushes for optimum performance and quiet operation
- Permanently lubricated, noise-tested, sealed, ball bearings
- Encoder-compatible with new optional screw-in encoder shaft kit (standard/stock models supplied with factory-installed cover over shaft opening).



Type 33A7-25H2

Type 33A7-30H3



### Typical Applications

Ideal for applications that require higher torque and lower power consumption than gearheads utilizing worm gears can provide: conveyors, pumps, packaging and other industrial automation equipment.

### Gearmotor Specifications and Ratings

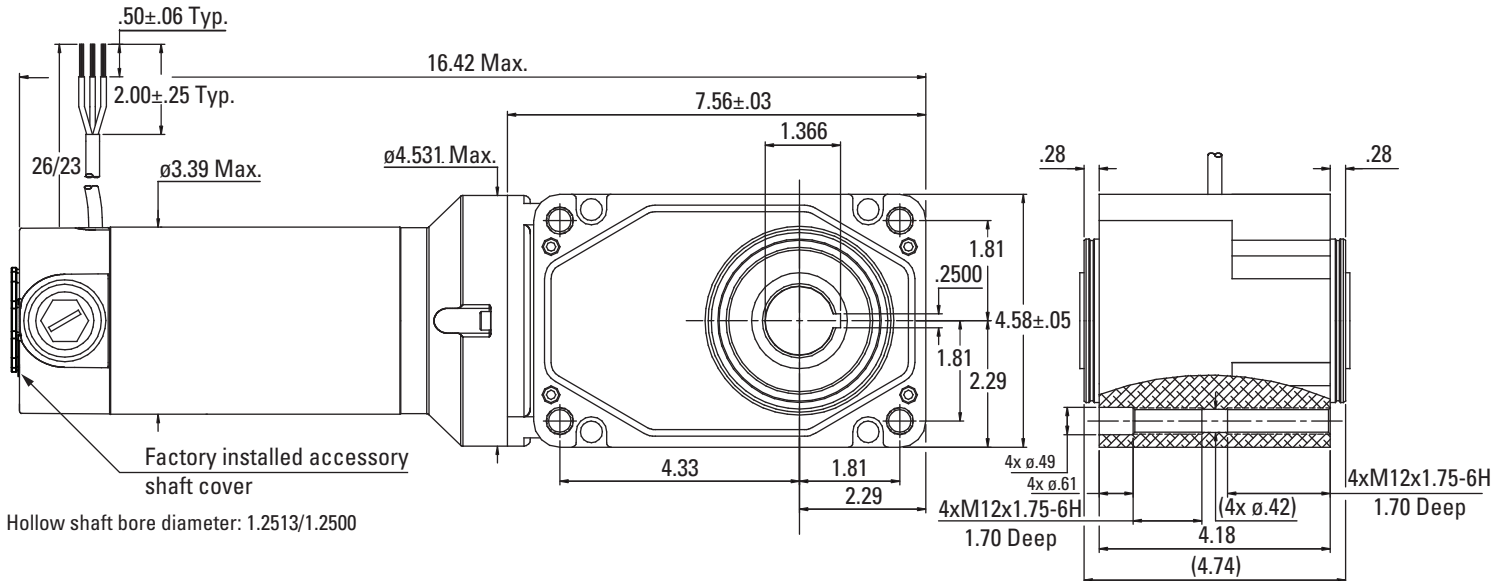
| Speed (rpm)   | Rated Torque (lb-in.) |      | Rated Current (Amps) |     | Peak Torque (lb-in.) |      | Power (HP) |     | Form Factor | Gear Ratio | Radial Load (lbs.) | Length (inches) | Weight (lbs.) | Product Type | Item Number |      |
|---|-----------------------|------|----------------------|-----|----------------------|------|------------|-----|-------------|------------|--------------------|-----------------|---------------|--------------|-------------|------|
|   | 12V                   | 24V  | 12V                  | 24V | 12V                  | 24V  | 12V        | 24V |             |            |                    |                 |               |              | 12V         | 24V  |
| <b>12 or 24 VDC, Totally Enclosed, Non-ventilated, Class F Insulation</b> |                       |      |                      |     |                      |      |            |     |             |            |                    |                 |               |              |             |      |
| 10  | 865                   | 1535 | 17                   | 14  | 1872                 | 3212 | 1/5        | 1/3 | 1.0         | 240        | 708                | 16.37           | 24            | 33A7-30H3    | 3060        | 3047 |
| 13  | 720                   | 1280 | 17                   | 14  | 1560                 | 2676 | 1/5        | 1/3 | 1.0         | 200        | 708                | 16.37           | 24            | 33A7-30H3    | 3059        | 3046 |
| 16  | 580                   | 1025 | 17                   | 14  | 1248                 | 2141 | 1/5        | 1/3 | 1.0         | 160        | 708                | 16.37           | 24            | 33A7-30H3    | 3058        | 3045 |
| 21  | 435                   | 770  | 17                   | 14  | 936                  | 1606 | 1/5        | 1/3 | 1.0         | 120        | 708                | 16.37           | 24            | 33A7-30H3    | 3057        | 3044 |
| 31  | 290                   | 510  | 17                   | 14  | 624                  | 1071 | 1/5        | 1/3 | 1.0         | 80         | 696                | 16.37           | 24            | 33A7-30H3    | 3056        | 3043 |
| 42  | 220                   | 390  | 17                   | 14  | 474                  | 813  | 1/5        | 1/3 | 1.0         | 60         | 575                | 14.82           | 20            | 33A7-25H2    | 3054        | 3042 |
| 63  | 145                   | 260  | 17                   | 14  | 316                  | 542  | 1/5        | 1/3 | 1.0         | 40         | 518                | 14.82           | 20            | 33A7-25H2    | 3053        | 3041 |
| 83  | 120                   | 210  | 17                   | 14  | 257                  | 440  | 1/5        | 1/3 | 1.0         | 30         | 475                | 14.82           | 20            | 33A7-25H2    | 3052        | 3040 |
| 125   | 80                    | 140  | 17                   | 14  | 171                  | 293  | 1/5        | 1/3 | 1.0         | 20         | 419                | 14.82           | 20            | 33A7-25H2    | 3051        | 3039 |
| 167   | 60                    | 105  | 17                   | 14  | 128                  | 220  | 1/5        | 1/3 | 1.0         | 15         | 388                | 14.82           | 20            | 33A7-25H2    | 3050        | 3038 |
| 250   | 40                    | 70   | 17                   | 14  | 86                   | 147  | 1/5        | 1/3 | 1.0         | 10         | 342                | 14.82           | 20            | 33A7-25H2    | 3049        | 3037 |
| 500   | 20                    | 35   | 17                   | 14  | 43                   | 73   | 1/5        | 1/3 | 1.0         | 5          | 277                | 14.82           | 20            | 33A7-25H2    | 3048        | 3036 |

Ratings are based on operation from DC power. Performance may vary with a speed control.

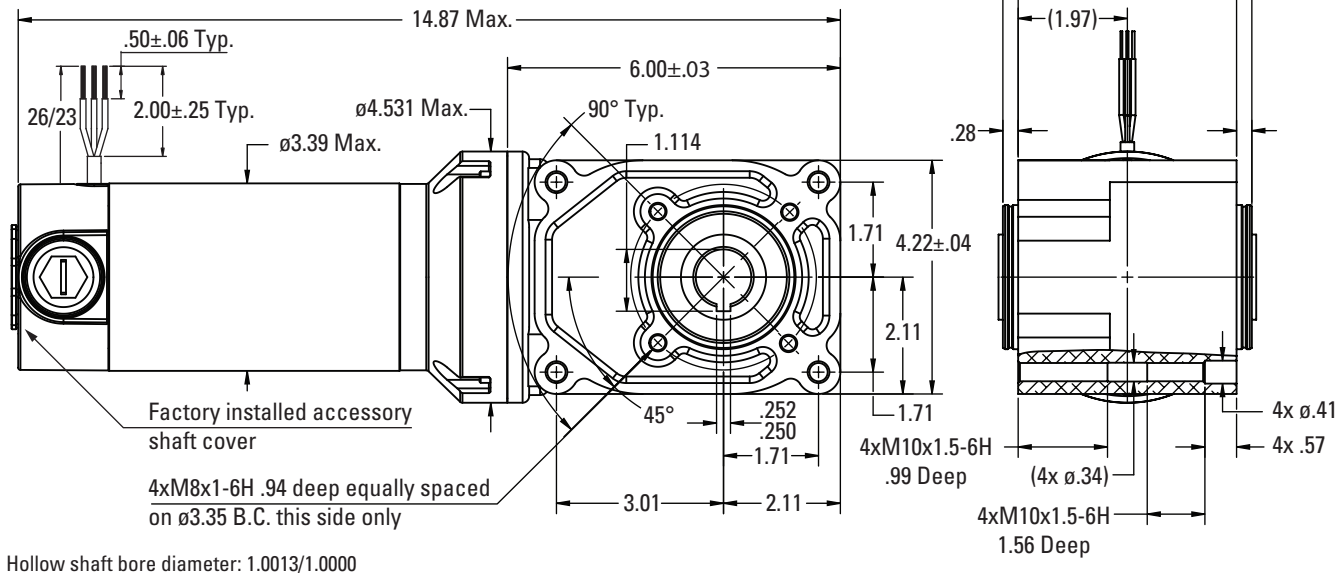


## 33A7-30H3 PMDC Hypoid Gearmotor (12VDC and 24VDC)

Dimensions (inches)



## 33A7-25H2 PMDC Hypoid Gearmotor



## Hypoid Gearmotor Accessories

Bodine's optional hypoid gearmotor accessories include shaft kits for both the 25H2 and 30H3 gearheads, shaft cover kits (non-extension side), base/foot mount brackets for both gearheads, and an optional screw-in accessory shaft for field-installed encoder options.



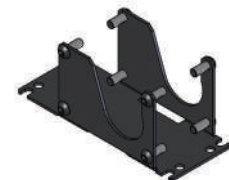
Screw-in accessory shaft kit for encoders  
**Model 0964**



Shaft cover kits  
**Model 0952** for type 25H2 gearhead  
**Model 0953** for type 30H3 gearhead



Shaft kits  
**Model 0929** for type 25H2 gearhead (1" dia.)  
**Model 0930** for type 30H3 gearhead (1-1/4" dia.)



Base/foot mount brackets  
**Model 0957** for type 25H2 gearhead  
**Model 0959** for type 30H3 gearhead