

42A-FX DC Gearmotor

The new 42A5-FX is a completely redesigned PMDC parallel shaft gearmotor that provides up to 40% more torque than previous E/F models, and operates from 12/24, or 90/130 Volt DC. The 42A5-FX gearmotor is ideal for medical equipment, packaging machines, conveyor systems, printing equipment, and factory automation applications. The 12/24V models drive portable or remote applications where connection to an AC line is not possible.

All FX gearmotors are designed and manufactured by Bodine Electric Company.

FX Gearhead Features

- Up to 40% more torque than previous E/F models
- All steel hardened helical gears; gearhead lubricated for life
- Gearing meets or exceeds AGMA 9 standards for quiet operation
- Synthetic lubricant improves performance and allows these gearmotors to operate in a wide temperature range
- Needle bearing on output shaft for increased radial load capacity and long life

42A Permanent Magnet DC Motor

- 12/24 VDC or 90/130 VDC winding options
- Class F insulation system
- Ideal for fixed and variable speed applications
- High starting torque, linear speed torque characteristics
- Heavy gauge steel motor housing
- Resin-impregnated winding to provide reliable performance
- Unique skewed armature design minimizes cogging; dynamically balanced

FX



TYPICAL APPLICATIONS

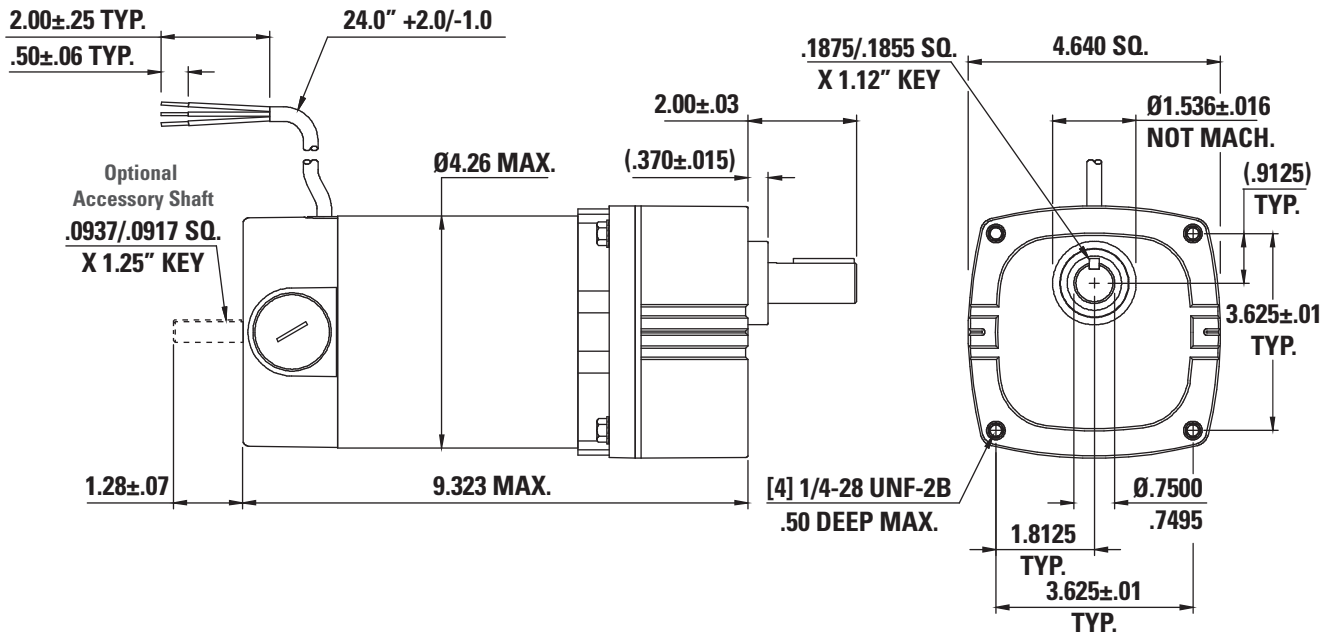
These new gearmotors are designed to drive applications such as medical equipment, conveyor systems, packaging equipment, metering devices and commercial appliances.

Speed (rpm)		Rated Torque (lb-in.)		Amps		Peak Torque (lb-in.)	HP		FF		Gear Ratio	Radial Load (lbs.)	Product Type ¹	Accy Shaft ²	No Accy Shaft ²	Accy Shaft ²	No Accy Shaft ²
12/24V	90/130V	12/24V	90/130V	12/24V	90/130V		12/24V	90/130V	12/24V	90/130V				12/24V	90/130V		
3 / 8	6 / 8	350	350 / 350			500					300	200	42A5BEPM-FX4	5079	5069	5059	5049
6 / 14	10 / 14	350	350 / 350	14	2.1 / 2.8	500	1/7 / 3/8	3/16 / 3/8	1.0	1.4 / 1.0	180	200	42A5BEPM-FX4	5078	5068	5058	5048
8 / 21	14 / 21	350	350 / 350			500					120	200	42A5BEPM-FX4	5077	5067	5057	5047
17 / 42	29 / 42	350	350 / 350			450					60	200	42A5BEPM-FX3	5076	5066	5056	5046
25 / 63	43 / 63	265	239 / 265			320					40	300	42A5BEPM-FX3	5075	5065	5055	5045
33 / 83	58 / 83	248	179 / 248	14	2.1 / 2.8	400	1/7 / 3/8	3/16 / 3/8	1.0	1.4 / 1.0	30	300	42A5BEPM-FX3	5074	5064	5054	5044
50 / 125	86 / 125	165	119 / 165			270					20	300	42A5BEPM-FX3	5073	5063	5053	5043
67 / 167	115 / 167	124	89 / 124			290					15	300	42A5BEPM-FX2	5072	5062	5052	5042
100 / 250	173 / 250	83	60 / 83	14	2.1 / 2.8	195	1/7 / 3/8	3/16 / 3/8	1.0	1.4 / 1.0	10	300	42A5BEPM-FX2	5071	5061	5051	5041
200 / 500	345 / 500	43	31 / 43			72					5	60	42A5BEPM-FX1	5070	5060	5050	5040

1. The fifth digit of the product type changes from "B" to "F" for accessory ready models. **Lead Time:** most models ship within 2-5 business days. **CE** (90/130V models only)

2. Models with **accessory shaft** are ideal for mounting encoders or brakes.

42A-FX Permanent Magnet DC Gearmotor (12/24 VDC or 90/130 VDC)



Accessories:

- "L" bracket model 0969
- Terminal box model 0984

Weight:

15.4 lbs. (7 kg)

System Matched DC Speed Controls

Buy a Bodine gearmotor and speed control as a set and get our Extended 2-Year System Warranty

Bodine DC speed controls are designed to deliver optimal performance from our 12, 24, 90, or 130 Volt PMDC motors and gearmotors. Stock controls are available with either filtered or unfiltered DC output. Current limit, torque limit, maximum/minimum speed, and acceleration/deceleration time can all be adjusted to fit your application. Chassis models feature either ¼ inch quick connect tabs or terminal block connections. Enclosed models meet NEMA-1 or NEMA-4 standards for environmental protection. **For more information, visit www.bodine-electric.com**



Low-Voltage Controls
WPM Model 0786/0788
(12V or 24VDC)



Enclosed Speed Controls
WPM Model 0790
UPM Model 0867
(115 VAC input)

